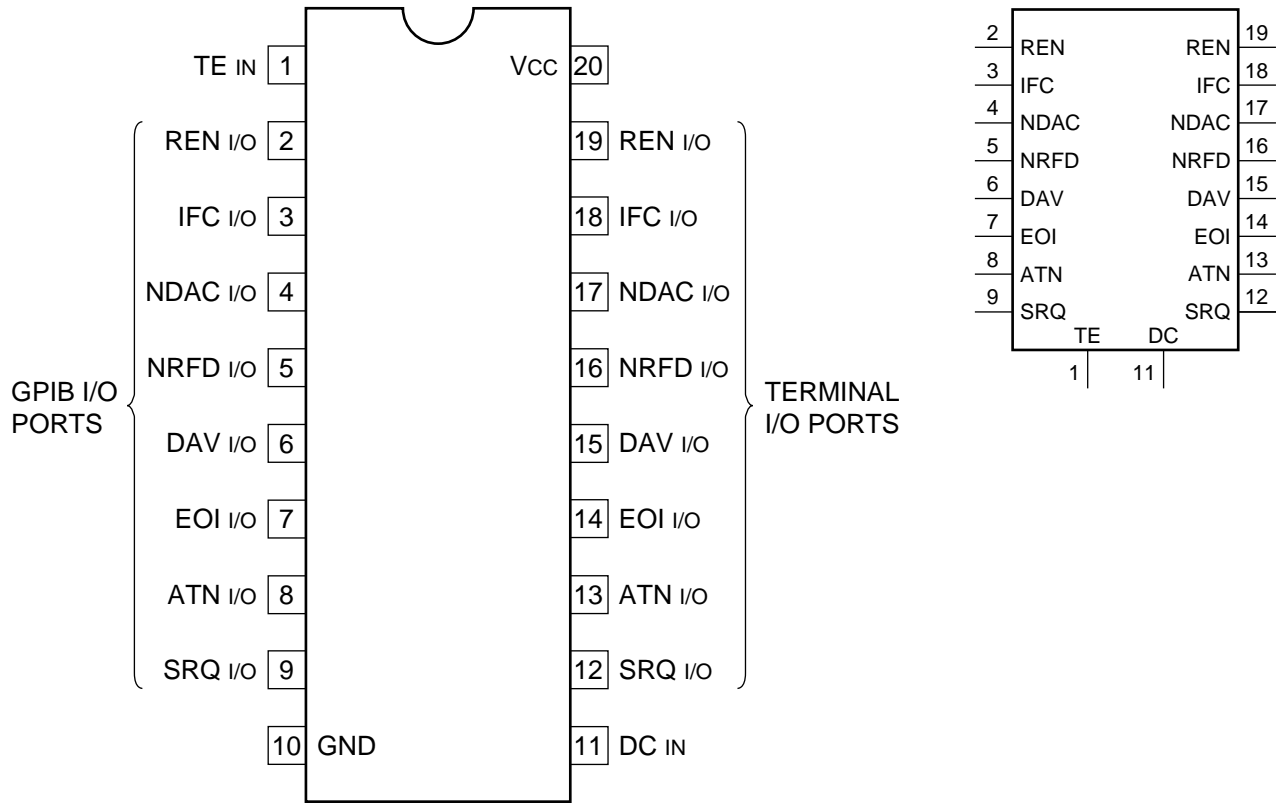


INTERFACE BUS TRANSCEIVERS

—TOP VIEW—



RECEIVE/TRANSMIT FUNCTION TABLE

CONTROLS			BUS-MANAGEMENT CHANNELS					DATA-TRANSFER CHANNELS		
DC	TE	ATN	CONTROLLED BY DC				EOI	CONTROLLED BY TE		
			ATN	SPQ	REN	IFC		DAV	NDAC	NRFD
1	1	1	R	T	R	R	T	T	R	R
1	1	0	R	T	R	R	R	T	R	R
0	0	1	T	R	T	T	R	R	T	T
0	0	0	T	R	T	T	T	R	T	T
1	0	x	R	T	R	R	R	R	T	T
0	1	x	T	R	T	T	T	T	R	R

0 : LOW LEVEL R : RECEIVE (TERMINAL ← GPIB)
 1 : HIGH LEVEL T : TRANSMIT (TERMINAL → GPIB)
 x : DON'T CARE

INPUT

DC : DIRECTION CONTROL
 TE : TALK ENABLE

INPUT/OUTPUT

ATN : ATTENTION
 STQ : SERVICE REQUEST
 REN : REMOTE ENABLE
 IFC : INTERFACE CLEAR
 EOI : END OR IDENTIFY
 DAV : DATA VALID
 NDAC : NOT DATA ACCEPTED
 NRFD : NOT READY FOR DATA

