

# PDA30-9711



## RINGER GENERATOR 30W

### FEATURES

- SWITCHING MODE RINGER GENERATOR
- COMPACT SIZE, LIGHT WEIGHT
- SINEWAVE OUTPUT WAVEFORM
- LOW DISTORTION
- WIDE INPUT RANGE (40 ~ 60V)
- Pi INPUT FILTER
- SHORT CIRCUIT PROTECTION
- OUTPUT REGULATED
- 2 YEARS WARRANTY

### SPECIFICATION

All Specifications Typical At Nominal Line, Full Load, 25°C Unless Otherwise Noticed

#### GENERAL

Characteristics	Conditions	min.	typ.	max.	unit
Switching frequency	Vi nom, Io nom		200		KHz
Isolation voltage	Input / Output	500			VDC
Isolation resistance	Input / Output, @ 500VDC	100			MΩ
Ambient temperature	Operating at Vi nom, Io nom	-25		+ 50	°C
Storage temperature	Non operational	-40		+ 85	°C
Relative humidity				90	% RH
Derating	Vi nom, Io nom +51 to +71°C	See derating curve			% / °C
Dimension	L101.6 x W101.6 x H21.1				mm
Cooling	Free air convection				
Case material	Metal				

#### INPUT SPECIFICATIONS

Characteristics	Conditions	min.	typ.	max.	unit
Input voltage range	Tamin ... Ta max, Io nom	40		60	VDC
No load input current	Vi nom, Io = 0		70		mA
Max. input voltage	Io nom			65	VDC
Input filter	Pi type				

## SPECIFICATION

All Specifications Typical At Nominal Line, Full Load, 25°C Unless Otherwise Noticed

### OUTPUT SPECIFICATIONS

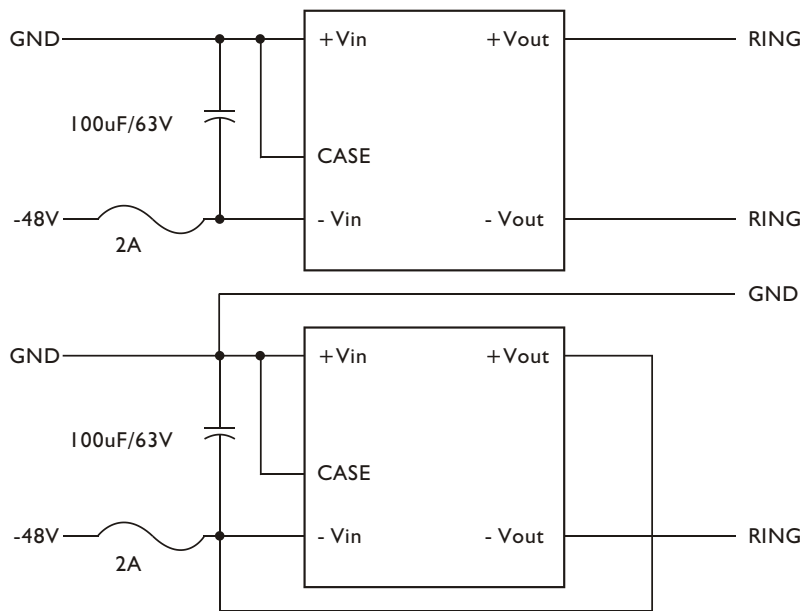
Characteristics	Conditions	min.	typ.	max.	unit
Output voltage	Vi nom, Io nom		80		VAC RMS
Output voltage accuracy	Vi nom, Io nom			±5	%
Output frequency	Vi nom, Io nom	22	25	28	Hz
Minimum load	Vi nom			5	%
Line regulation	Io nom, Vi min ... Vi max			±5	%
Load regulation	Vi nom, Io min ... Io nom			±5	%
Temperature coefficient	Vi nom, Io nom			±1	% / °C
External trim adj. Range 1)	Io = 5% ... 100%	-5		+5	%
Output waveform distortion				5	%
Output waveform	Sine wave				
Efficiency	Vi nom, Io nom, Po / Pi	Up to 70%			

Note 1): Pls refer to Fig1 for connection detail.

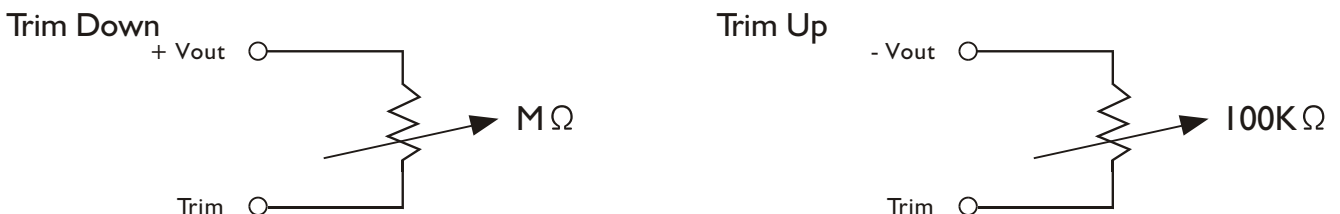
### CONTROL AND PROTECTION

Remote ON / OFF	ON: opened or 5VDC and up applied, reference to input GND OFF: +1.8VDC or lower applied, reference to input GND
Input reversed	Shunt diode built in, external fuse recommended
Output short circuit	Continuous

## Applications

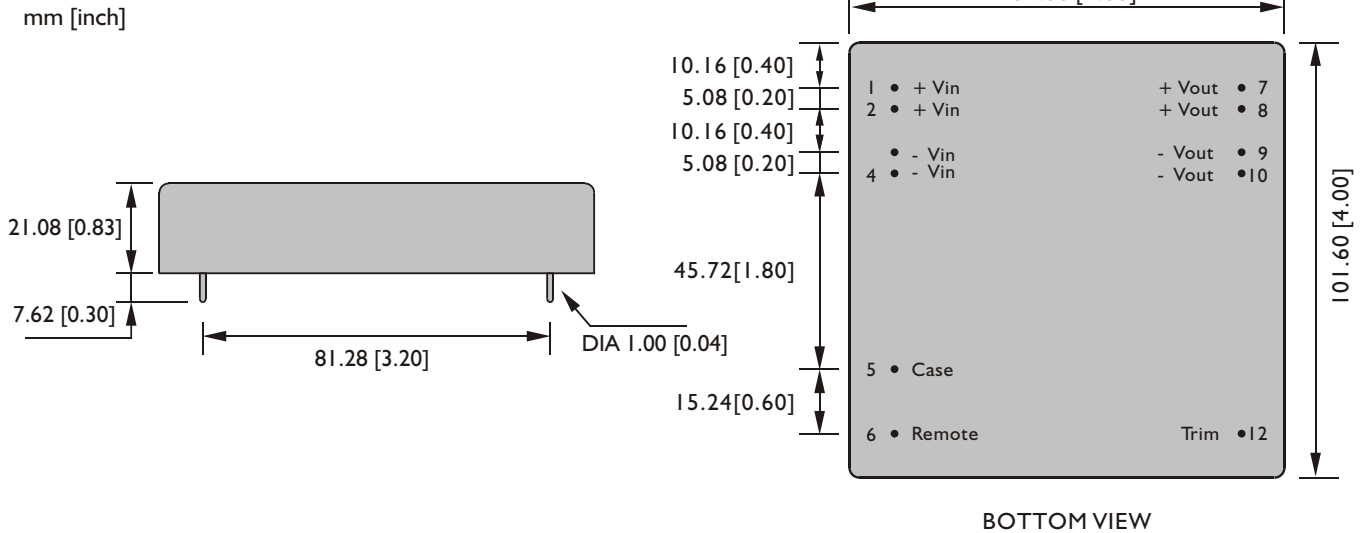


## Fig 1 EXTERNAL OUTPUT TRIMMING



• OUTPUT TRIMMED RANGE ±5%

## MECHANISM & PIN CONFIGURATION



## PHYSICAL CHARACTERISTICS

CASE SIZE	101.6 x 101.6 x 21.1 mm 4 x 4 x 0.83 inches
CASE MATERIAL	Metal
WEIGHT	380 g

## PIN ASSIGNMENT

GENERAL							
PIN NO.	1 & 2	3 & 4	5	6	7 & 8	9 & 10	12
TRIPLE	+ Vin	- Vin	Case <sup>2)</sup>	Remote ON / OFF Control	+ Vout	- Vout	Trim

Note 2): Case was connected to +Vin internal.

## DERATING

