

#### 8CH HIGH-VOLTAGE SOURCE DRIVER

The KID65783AP/AF is comprised of eight source current transistor array. This driver is specifically designed for fluorescent display applications. Applications include relay, hammer and lamp drivers.

#### FEATURES

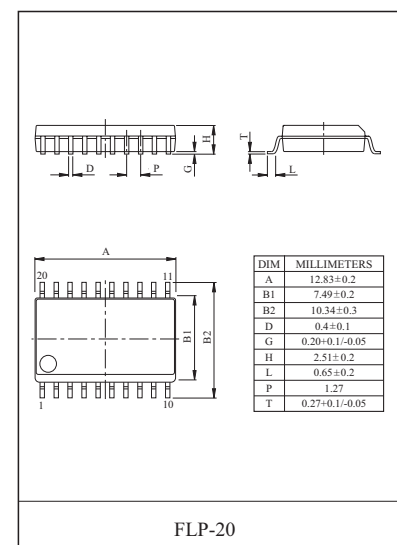
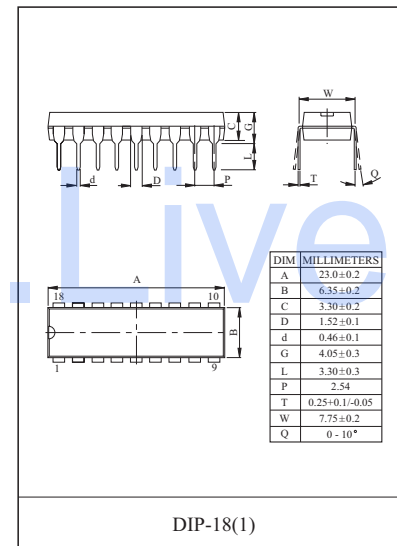
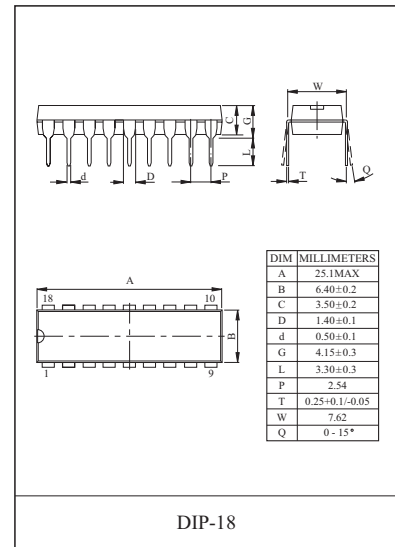
- High Output Voltage :  $V_{CC}=50V(\text{Min.})$ .
- Output Current (Single Output)  $I_{OUT} : -500mA(\text{Min.})$ .
- Output Clamp Diodes.
- Single Supply Voltage.
- Input Compatible With Various Types of Logic.
- Package Type-AP : DIP-18pin. DIP-18(1)Pin
- Package Type AF : FLP-20pin.

TYPE	DESIGNATION
KID65783AP/AF	TTL, 5V CMOS

#### MAXIMUM RATINGS (Ta=25 °C)

CHARACTERISTIC	SYMBOL	RATING	UNIT
Supply Voltage	$V_{CC}$	50	V
Output Current	$I_{OUT}$	-500	mA/ch
Input Voltage	$V_{IN}$	15	V
Clamp Diode Reverse Voltage	$V_R$	50	V
Clamp Diode Forward Current	$I_F$	500	mA
Power Dissipation	AP	$P_D(\text{Note})$	W
	AF		
		0.96	
Operating Temperature	$T_{opr}$	-40 85	
Storage Temperature	$T_{stg}$	-55 150	

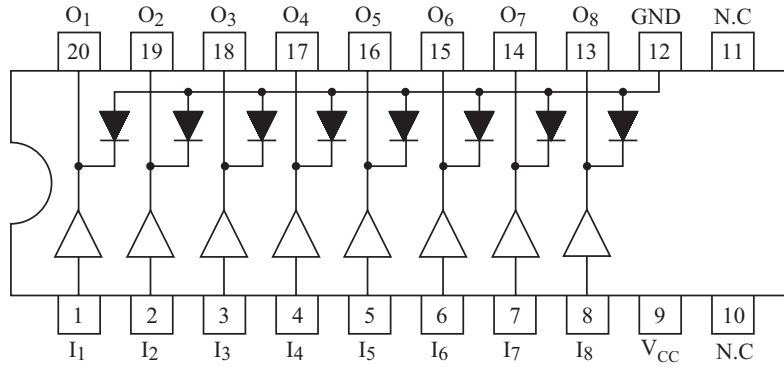
Note) Delated above 25 °C in the proportion of 11.7W/ °C (AP Type), 7.7W/ °C (AF Type).



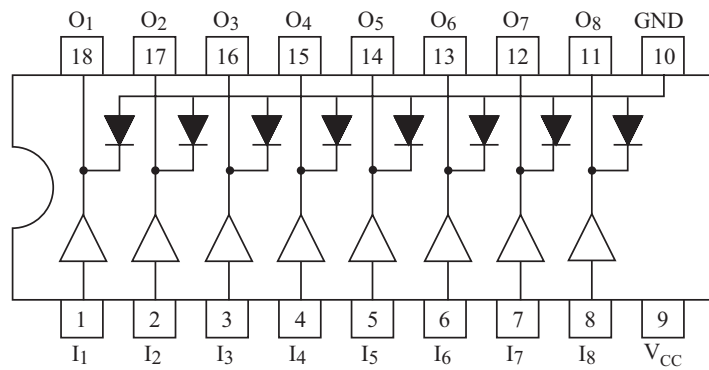
# KID65783AP/AF

## PIN CONNECION (TOP VIEW)

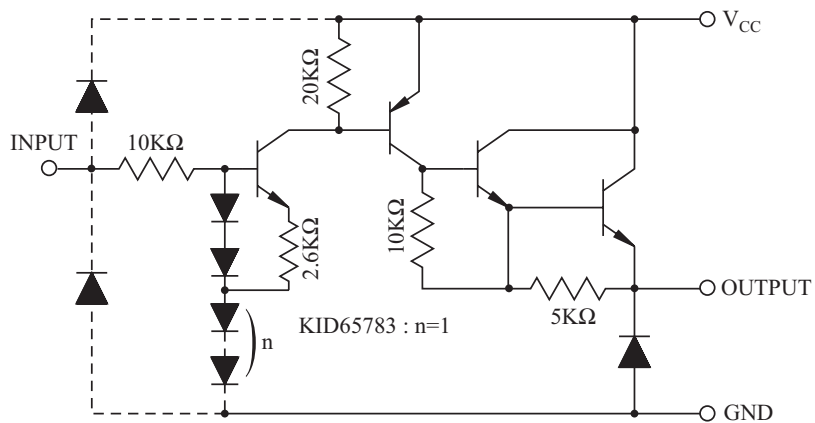
AF-TYPE (FLP-20 package)



AP-TYPE (DIP-18 package)



## SCHEMATICS (EACH DRIVER)



(Note) The input and output parasitic diodes cannot be used as clamp diodes.

# KID65783AP/AF

## RECOMMENDED OPERATING CONDITIONS (Ta=-40 ~ 85 °C)

CHARACTERISTIC		SYMBOL	TEST CONDITION	MIN.	TYP.	MAX.	UNIT	
Supply Voltage		$V_{CC}$	-	-	-	50	V	
Output Current	AP	$I_{OUT}$	Ta=85 Tj=120 TpW=25mS	Duty=10% 8 Circuits	-	-	-260	mA/ch
				Duty=50% 8 Circuits	-	-	-59	
	AF			Duty=10% 8 Circuits	-	-	-180	
				Duty=50% 8 Circuits	-	-	-38	
Input Voltage		$V_{IN}$	-	-	-	12	V	
Input Voltage	Output ON	$V_{IN(ON)}$	-	2.0	5.0	15	V	
	Output OFF	$V_{IN(OFF)}$	-	0	-	0.8		
Clamp Diode Reverse Voltage	AP	$V_R$	-	-	-	50	V	
	AF			-	-	35		
Clamp Diode Forward Current		$I_F$	-	-	-	400	mA	
Power Dissipation	AP	$P_D$	-	-	-	0.52	W	
	AF			-	-	0.35		

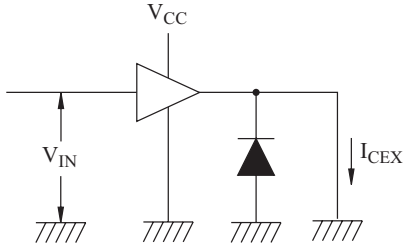
## ELECTRICAL CHARACTERISTICS (Ta=25 °C)

CHARACTERISTIC	SYMBOL	TEST CIRCUIT	TEST CONDITION	MIN.	TYP.	MAX.	UNIT
Output Leakage Current	$I_{CEX}$	1	$V_{CC}=V_{CC\ MAX}$ , $V_{IN}=0.4V$ Ta=25	-	-	100	$\mu A$
Output Saturation Voltage	$V_{CE(sat)}$	2	$V_{IN}=V_{IN(ON)}$ , $I_{OUT}=-350mA$	-	-	2.0	V
			$V_{IN}=V_{IN(ON)}$ , $I_{OUT}=-225mA$	-	-	1.9	
			$V_{IN}=V_{IN(ON)}$ , $I_{OUT}=-100mA$	-	-	1.8	
Input Current	$I_{IN(ON)}$	3	$V_{IN}=2.4V$	-	36	52	$\mu A$
			$V_{IN}=3.85V$	-	180	260	
Input Voltage	$V_{IN(ON)}$	4	$V_{CE}=2.0V$ , $I_{OUT}=-350mA$	-	-	2.0	V
	$V_{IN(OFF)}$		$I_{OUT}=-500\ \mu A$	0.8	-	-	
Supply Current	$I_{CC(ON)}$	3	$V_{IN}=V_{IN(ON)}$ , $V_{CC}=50V$	-	-	2.5	mA/ch
Clamp Diode Reverse Current	$I_R$	5	$V_R=50V$	-	-	50	$\mu A$
Clamp Diode Forward Voltage	$V_F$	6	$I_F=350mA$	-	-	2.0	V
Turn-On Delay	$t_{ON}$	7	$V_{CC}=V_{CC\ MAX}$ , $R_L=125$ $C_L=15pF$	-	0.15	-	$\mu s$
Turn-Off Delay	$t_{OFF}$			-	1.8	-	

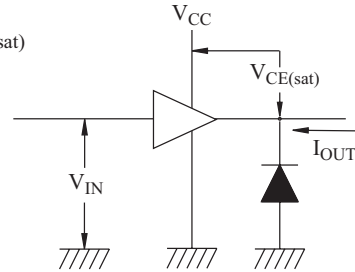
# KID65783AP/AF

## TEST CIRCUIT

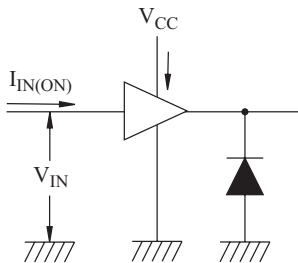
1.  $I_{CEX}$



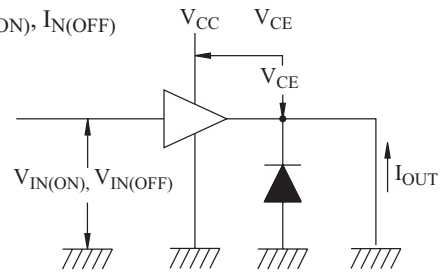
2.  $V_{CE(sat)}$



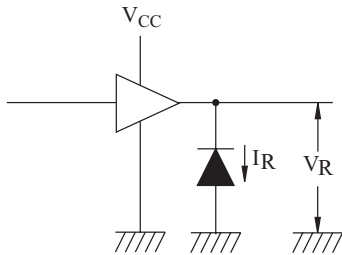
3.  $I_{IN(ON)}$ ,  $I_{CC}$



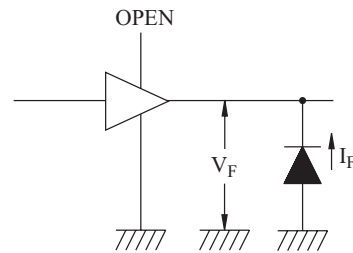
4.  $V_{IN(ON)}$ ,  $I_{IN(OFF)}$



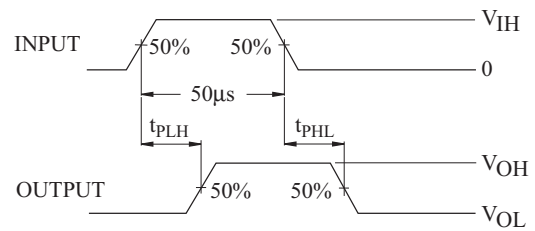
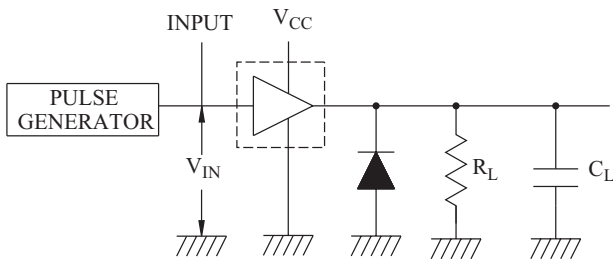
5.  $I_R$



6.  $V_F$



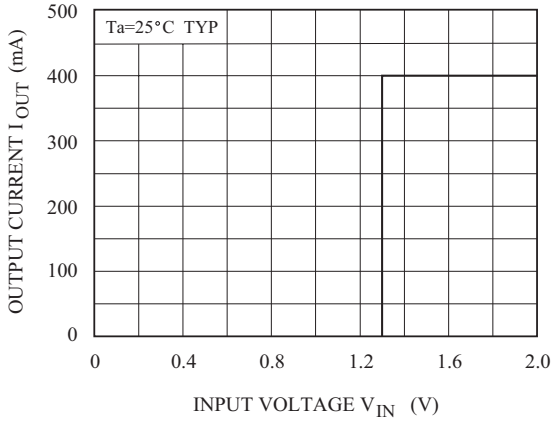
7.  $t_{ON}$ ,  $t_{OFF}$



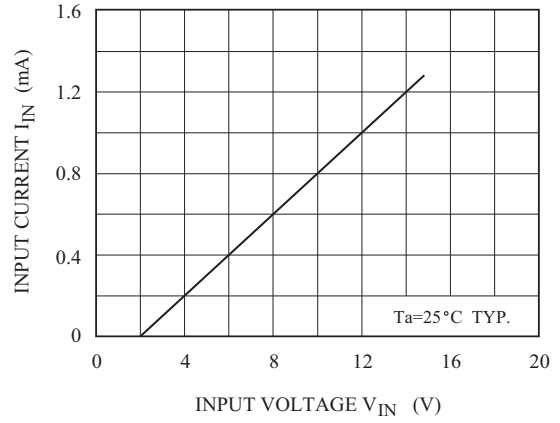
(Note 1) Pulse width 50µs, duty cycle 10%  
Output impedance 50Ω,  $t \leq 5ns$ ,  $t \leq 10ns$   
(Note 2)  $C_L$  includes probe and jig capacitance

# KID65783AP/AF

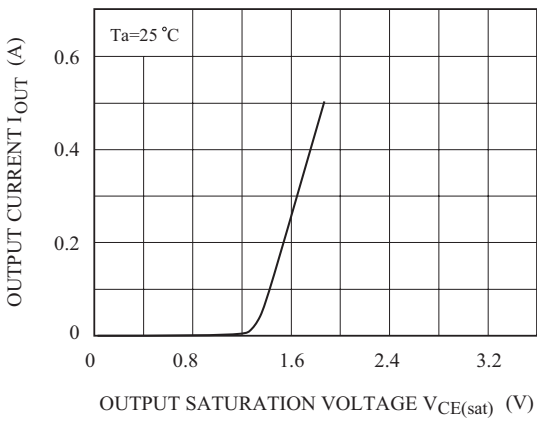
$I_{OUT} - V_{IN}$



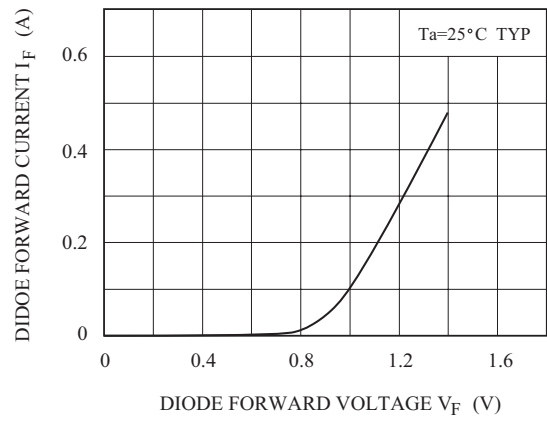
$I_{IN} - V_{IN}$



$I_{OUT} - V_{CE(sat)}$



$I_F - V_F$



$P_D - T_a$

