

Silicon NPN Power Transistors

2SC3090

DESCRIPTION

- With TO-3PN package
- High breakdown voltage ($V_{CBO} \geq 800V$)
- Fast switching speed
- Wide ASO □ Safe Operating Area □

APPLICATIONS

- 500V/10A Switching Regulator Applications

PINNING

| PIN | DESCRIPTION |
|-----|--------------------------------------|
| 1 | Base |
| 2 | Collector;connected to mounting base |
| 3 | Emitter |

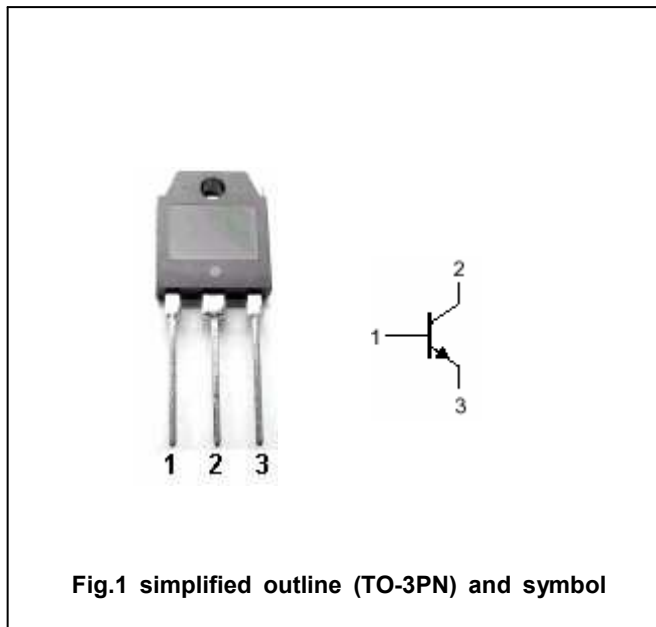


Fig.1 simplified outline (TO-3PN) and symbol

Absolute maximum ratings ($T_a=25^\circ C$)

| SYMBOL | PARAMETER | CONDITIONS | VALUE | UNIT |
|-----------|-----------------------------|------------------|---------|------|
| V_{CBO} | Collector-base voltage | Open emitter | 800 | V |
| V_{CEO} | Collector-emitter voltage | Open base | 500 | V |
| V_{EBO} | Emitter-base voltage | Open collector | 7 | V |
| I_C | Collector current | | 10 | A |
| I_{CM} | Collector current-peak | | 20 | A |
| I_B | Base current | | 4 | A |
| P_C | Collector power dissipation | $T_a=25^\circ C$ | 2.5 | W |
| | | $T_C=25^\circ C$ | 100 | |
| T_j | Junction temperature | | 150 | □ |
| T_{stg} | Storage temperature | | -55~150 | □ |

Silicon NPN Power Transistors

2SC3090

CHARACTERISTICS

T_j=25°C unless otherwise specified

| SYMBOL | PARAMETER | CONDITIONS | MIN | TYP. | MAX | UNIT |
|----------------------|--------------------------------------|---|-----|------|-----|------|
| V _{(BR)CEO} | Collector-emitter breakdown voltage | I _C =5mA ; R _{BE} =∞ | 500 | | | V |
| V _{(BR)CBO} | Collector-base breakdown voltage | I _C =1mA ; I _E =0 | 800 | | | V |
| V _{(BR)EBO} | Emitter-base breakdown voltage | I _E =1mA ; I _C =0 | 7 | | | V |
| V _{CEsat} | Collector-emitter saturation voltage | I _C =6A ; I _B =1.2A | | | 1.0 | V |
| V _{BEsat} | Base-emitter saturation voltage | I _C =6A ; I _B =1.2A | | | 1.5 | V |
| I _{CBO} | Collector cut-off current | V _{CB} =500V ; I _E =0 | | | 10 | μA |
| I _{EBO} | Emitter cut-off current | V _{EB} =5V ; I _C =0 | | | 10 | μA |
| h _{FE-1} | DC current gain | I _C =1.2A ; V _{CE} =5V | 15 | | 50 | |
| h _{FE-2} | DC current gain | I _C =6A ; V _{CE} =5V | 8 | | | |
| C _{OB} | Output capacitance | I _E =0 ; V _{CB} =10V ; f=1MHz | | 160 | | pF |
| f _T | Transition frequency | I _C =1.2A ; V _{CE} =10V | | 18 | | MHz |

Switching times

| | | | | | | |
|-----------------|--------------|--|--|--|-----|----|
| t _{on} | Turn-on time | I _C =7A ; I _{B1} =-I _{B2} =1.4A R _L =28.6Ω, V _{CC} =200V | | | 1.0 | μs |
| t _s | Storage time | | | | 3.0 | μs |
| t _f | Fall time | | | | 1.0 | μs |

◆ h_{FE-1} classifications

| L | M | N |
|-------|-------|-------|
| 15-30 | 20-40 | 30-50 |

Silicon NPN Power Transistors

2SC3090

PACKAGE OUTLINE

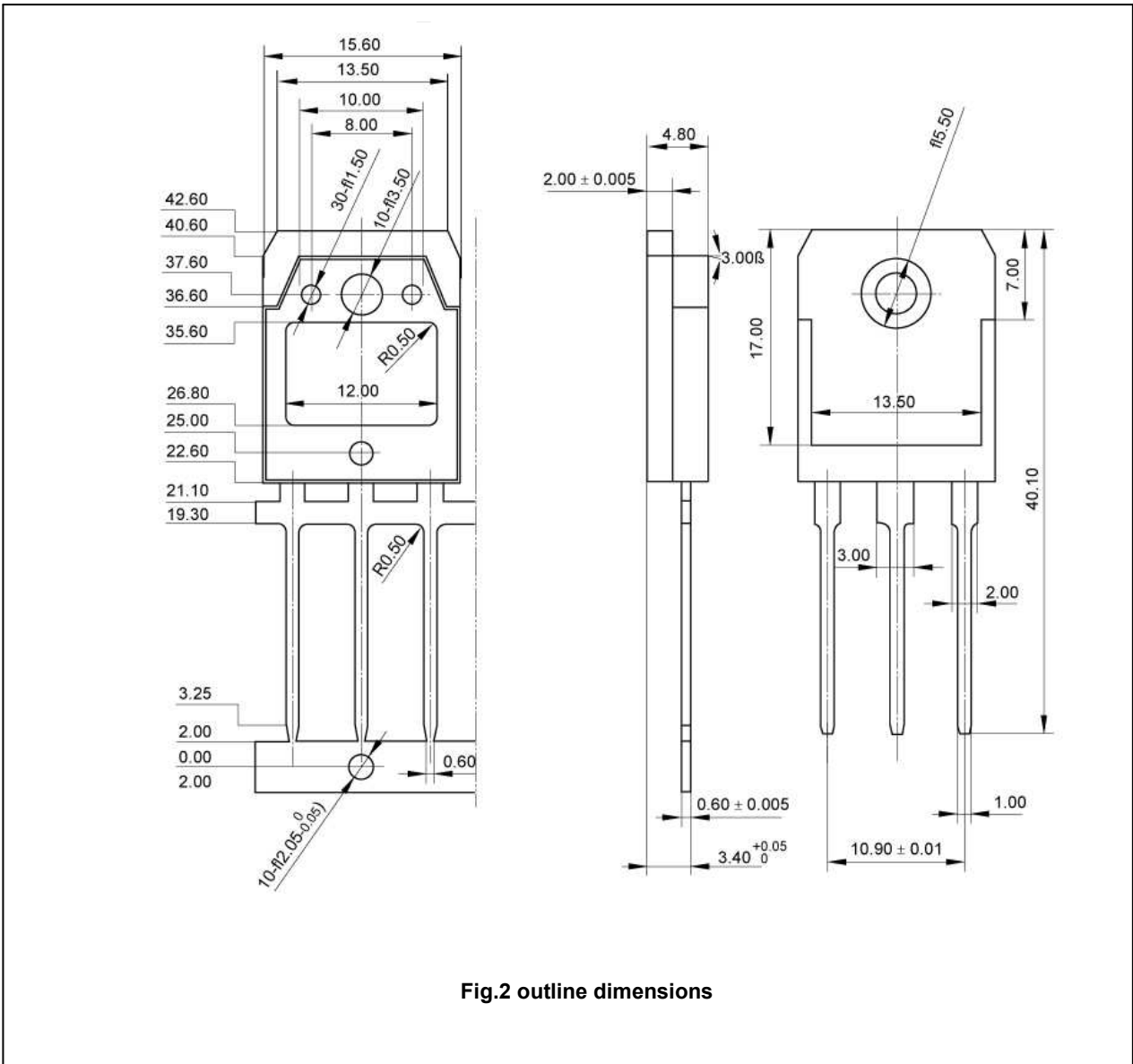


Fig.2 outline dimensions

Silicon NPN Power Transistors

2SC3090

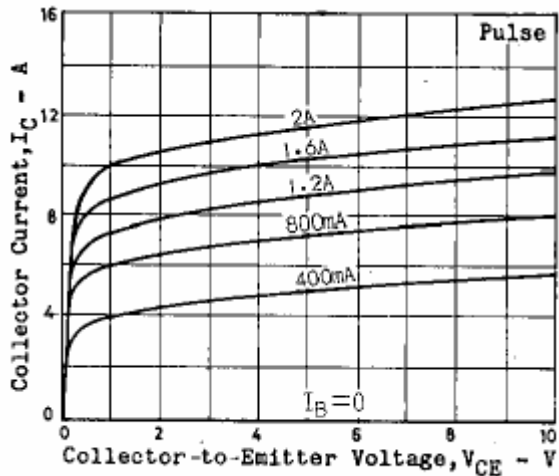


Fig.3 Static Characteristic

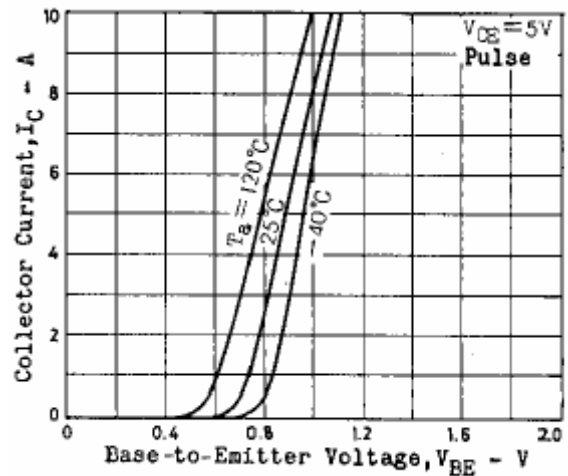


Fig.4 Base-Emitter On Voltage

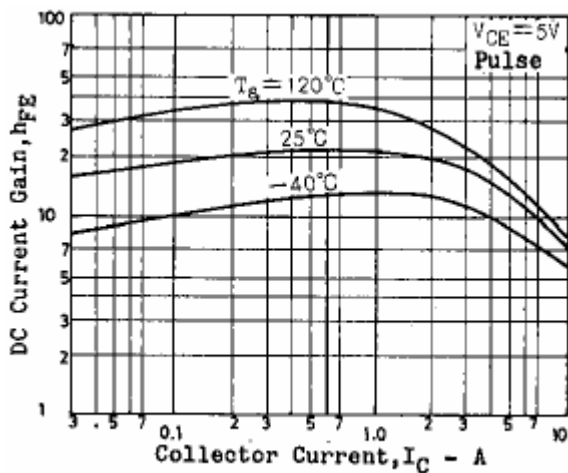


Fig.5 DC current Gain

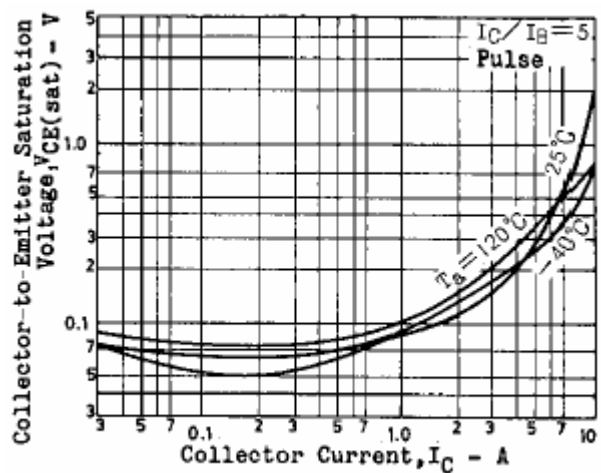


Fig.6 Collector-Emmitter Saturation Voltage

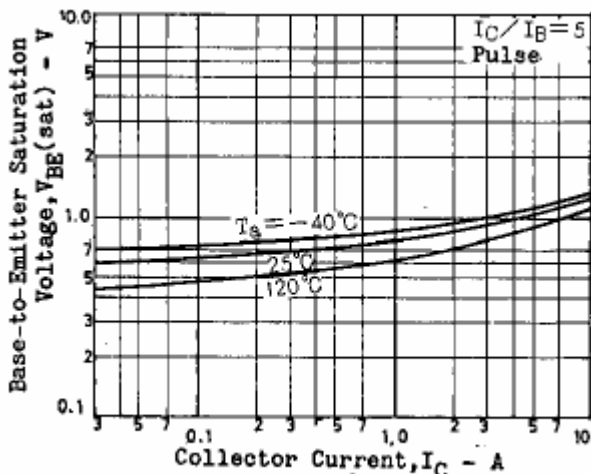


Fig.7 Base-Emmitter Saturation Voltage

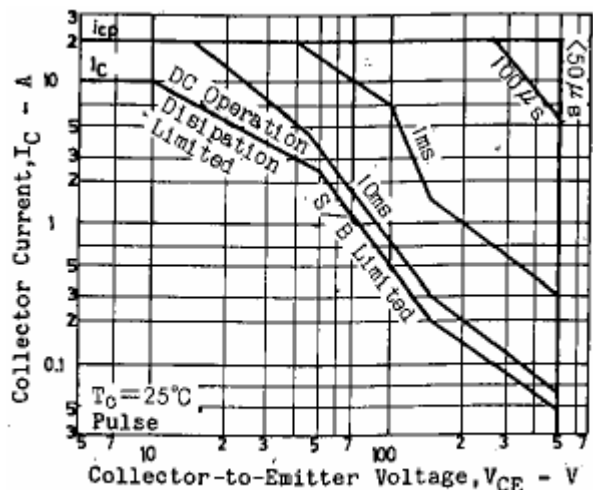


Fig.8 Safe Operating Area

This datasheet has been downloaded from:

www.DatasheetCatalog.com

Datasheets for electronic components.