



SERIES N 50 Ω, COAXIAL CONNECTORS

DESCRIPTION

HUBER+SUHNER N connectors are available with 50 Ω and 75 Ω impedance. The frequency range extends to 18 GHz, depending on the connector and cable type. The screw-type coupling mechanism provides a sturdy and reliable connection.

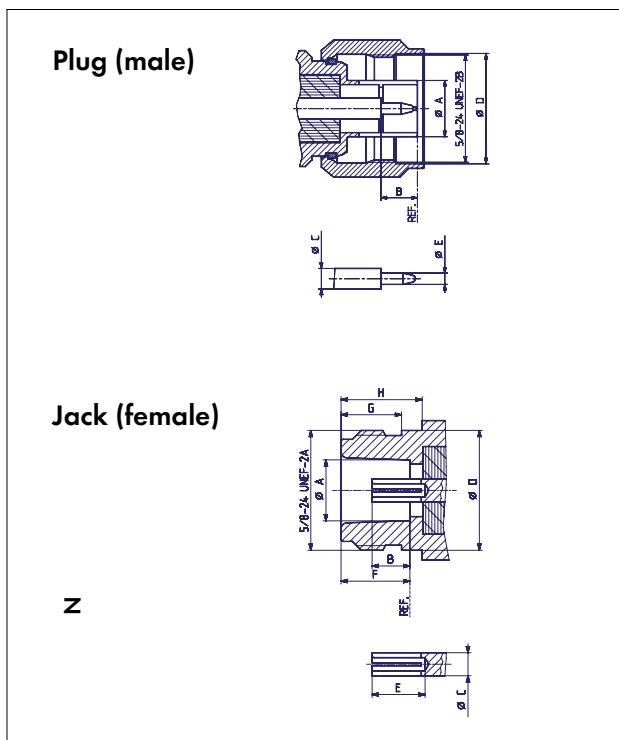
HUBER+SUHNER N connectors are available for flexible cables, for semi-rigid cables and for corrugated copper tube cables.

Cable entries: clamp, crimp and solder types available, as well as HUBER+SUHNER QUICK-FIT for corrugated copper tube cables.

Compatibility

Inner conductors of N 75 Ω connectors have a smaller diameter than those of the 50 Ω version. Therefore 50 Ω and 75 Ω connectors must not be mated with each other.

INTERFACE DIMENSIONS



CONTENTS

PAGE

Description	273
Interface dimensions	273
Interface dimensions in mm / inches	273
Technical data	274
Cable connectors	277
Receptacles with solder end	293
Stripline launchers	296
Protective caps	297
HUBER+SUHNER QUICK-FIT	323

INTERFACE DIMENSIONS (MM / INCHES)

	Plug		Jack	
	min.	max.	min.	max.
A	–	8.38/.330	8.03/.316	8.13/.320
B	5.33/.210	5.84/.230	4.75/.187	5.26/.207
C	–	3.15/.124	–	3.15/.124
D	16.00/.630	–	–	15.93/.627
E	1.60/.063	1.68/.066	5.33/.210	–
F	–	–	9.04/.356	9.19/.362
G	–	–	6.76/.266	–
H	–	–	10.72/.422	–

Interface dimensions conformable to the Standards:

International: **IEC 61169-16**
 Europe: **CECC 22 210**
 USA: **MIL-STD-348A/304**

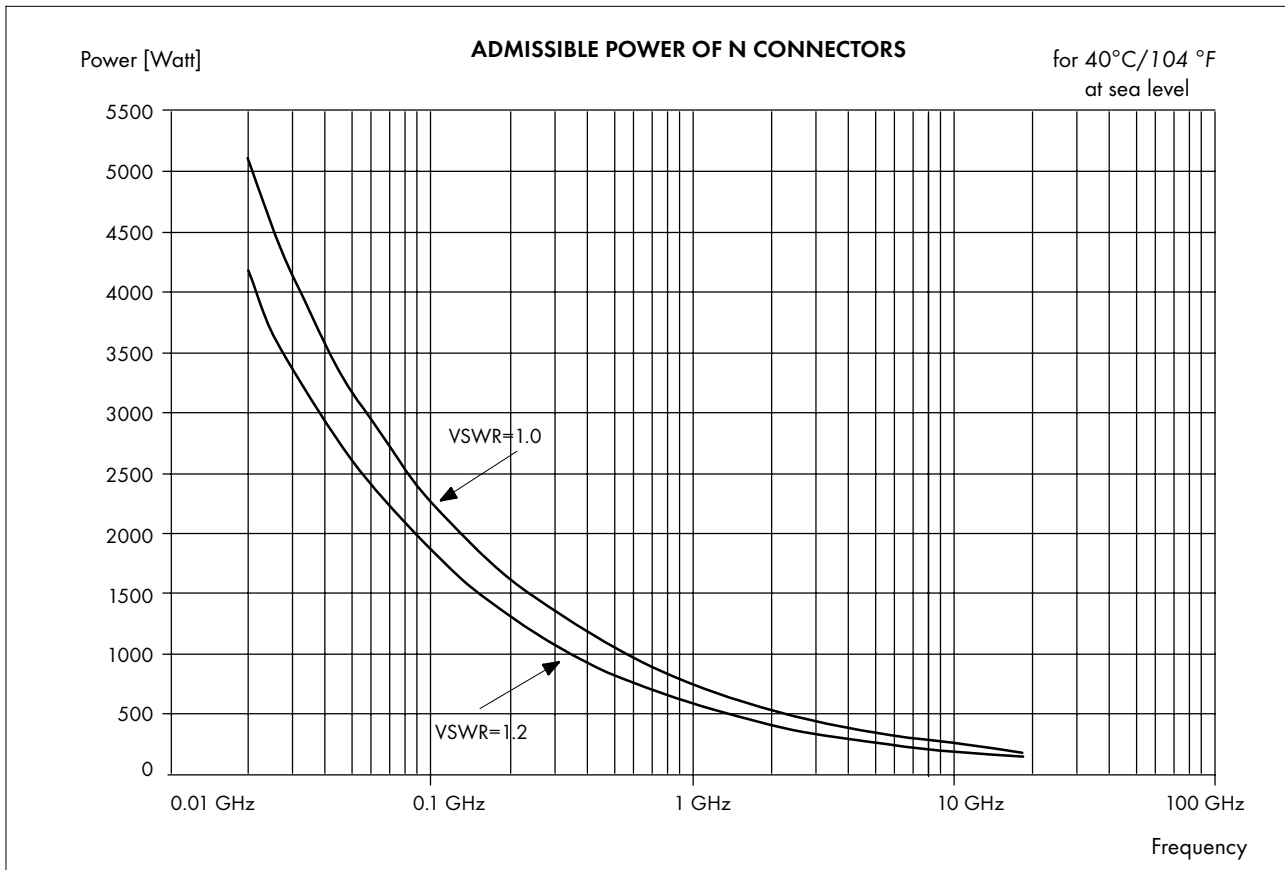
IP rating (interface, mated) IP68

TECHNICAL DATA

ELECTRICAL DATA	REQUIREMENTS
Impedance	50 Ω
Frequency range - flexible cables - semi-rigid cables	DC ... 11 GHz DC ... 18 GHz
Dielectric withstanding voltage (at sea level)	2.5 kV rms, 50 Hz
Working voltage (at sea level)	\leq 1.0 kV rms, 50 Hz
Insulation resistance	$\geq 5 \cdot 10^3$ M Ω
Contact resistance - centre contact - outer contact	\leq 1.0 m Ω \leq 1.0 m Ω
RF-leakage (between 2 ÷ 3 GHz)	\geq 90 dB
VSWR	see table below

TYPICAL VSWR *	FREQUENCY RANGE					CABLE GROUP
	1 GHz	2.5 GHz	5 GHz	12.4 GHz	18 GHz	
straight connectors	1.04	1.05	1.08			M6
	1.03	1.04	1.06	1.12		Y5, Y12
	1.03	1.04	1.05	1.07	1.09	Y5, Y12
	1.03	1.04	1.05	1.08	1.12	Y7
	1.05	1.09	1.17			U7, U9
	1.04	1.06	1.12			U28, U29, U32, U33
	1.03	1.05	1.14			S24
	1.03	1.05	1.10			S39
right angle connectors	1.04	1.05	1.08			M6
	1.04	1.05	1.06	1.12		Y5, Y12
	1.05	1.10	1.20			U7, U9
	1.08	1.10	1.12			U28, U29, U32, U33

* Values which can be achieved when connectors are perfectly fixed onto cable.



MECHANICAL DATA	REQUIREMENTS					
Coupling nut torque - recommended - proof torque	0.68 Nm ... 1.13 Nm / 6.0 ... 10.0 in. lbs 1.70 Nm / 15.0 in. lbs					
Coupling nut retention force	≥ 450 N / 101.2 lbs					
Contact captivation	≥ 28 N / 6.3 lbs					
Cable retention force ¹⁾	see pages 28 - 34					
Durability (matings)	≥ 500					
- recommended torque for connectors with profile HEX19 (HEX18) coupling nut	Matings	500	250	100	60	30
	Torque	1 Nm	2 Nm	3 Nm	4 Nm	5 Nm

1) value considers maximum load of the cables without irreversible variations of specifications.

ENVIRONMENTAL DATA	TEST CONDITIONS
Temperature range	- 65°C ... + 165°C / - 85 °F ... + 329 °F
Climatic category	IEC → 55/155/21
Thermal shock	MIL-STD-202, Method 107, Condition B
Moisture resistance	MIL-STD-202, Method 106
Corrosion	Saltspray test acc. to MIL-STD-202, Method 101, Condition B
Vibration	MIL-STD-202, Method 204, Condition B
Shock	MIL-STD-202, Method 213, Condition I

MATERIAL DATA		
CONNECTOR PART	MATERIAL	PLATING
Bodies	brass	SUCOPLATE®
Pin contacts	brass	gold / SUCOPRO
Outer contact, slotted	spring bronze	SUCOPLATE®
Female contacts	copper-beryllium alloy; spring bronze	gold / SUCOPRO
Crimp ferrules	copper	SUCOPLATE®
Insulators, standard version	PTFE or PFA	
Gaskets	silicone rubber	

Some connectors may have a specification that differs from the above mentioned data.

The products are designed and guaranteed to pass the above mentioned test procedures. Any additional or different requirement arising from specific applications or environmental conditions which is not covered by these test procedures is subject to request.

CABLE CONNECTORS

Straight cable plugs (male)

- > for semi-rigid cables
- > cable entry soldered
- > centre contact soldered

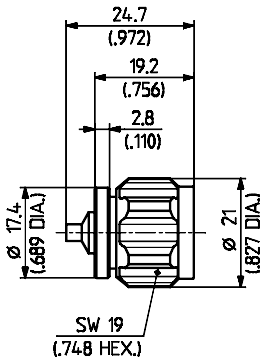


Fig. 1

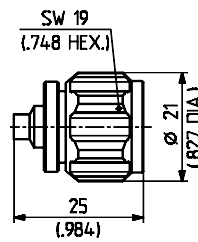
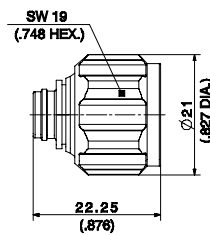


Fig. 2



HUBER+SUHNER type	Item no.	Cable group (example)	Packaging	Assembly instruction	Weight	Fig.
11_N-50-2-15/113_UE	22660315	Y3, Y11 (EZ 86)	single	3095	25.6 g/0.90 oz.	1
11_N-50-3-13/113_NE	22542083	Y5, Y12 (EZ 141)	single	3095	29.0 g/1.02 oz.	2

- > for SUCOFORM cables
- > cable entry soldered
- > centre contact soldered



HUBER+SUHNER type	Item no.	Cable group (example)	Packaging	Assembly instruction	Weight	Fig.
11_N-50-5-18/103_NH	84008445	Y13 (Sucoform 250-01)	bulk 100 pcs.	0000215552	21.9 g/0.77 oz.	1

> for semi-rigid cables

- > cable entry soldered (Fig. 1)
- > cable entry clamp (Fig. 2)
- > centre contact plugged-in
- > frequency range: DC - 18 GHz

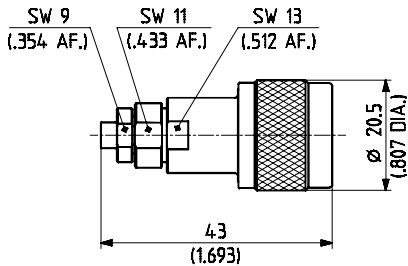


Fig. 1

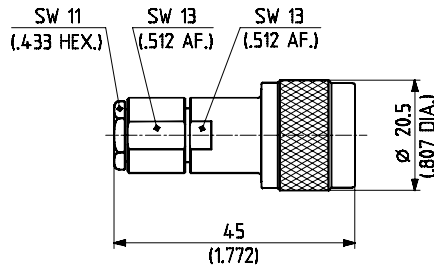


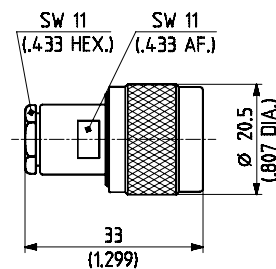
Fig. 2

HUBER+SUHNER type	Item no.	Cable group (example)	Packaging	Assembly instruction	Weight	Fig.
11_N-50-3-51/133_NE	22543919	Y5, Y12 (EZ 141)	single	9006	43.0 g/1.51 oz.	1 *
11_N-50-5-39/133_NE	22642481	Y7 (EZ 250)	single	9089	51.0 g/1.79 oz.	2

* stainless steel

> for flexible cables

- > cable entry clamp
- > centre contact soldered

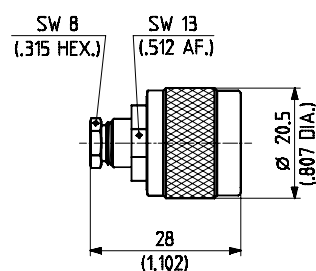


HUBER+SUHNER type	Item no.	Cable group (example)	Packaging	Assembly instruction	Weight
11_N-50-2-1/133_NE	22544030	U2 (RG 316/U)	single	3017	38.0 g/1.33 oz.
11_N-50-2-2/133_NE	22643807	U4 (K 02252 D)	single	3017	38.0 g/1.33 oz.
11_N-50-3-5/133_NE	22542073	U7, 10 (RG 58C/U)	single	3017	36.0 g/1.26 oz.

Precision Connector - low VSWR

> for flexible cables

- > cable entry clamp
- > centre contact soldered
- > VSWR: DC-4 GHz ≤ 1.10 4-10 GHz ≤ 1.20 10-12.4 GHz ≤ 1.25



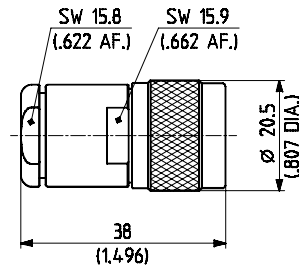
HUBER+SUHNER type	Item no.	Cable group (example)	Packaging	Assembly instruction	Weight
11_N-50-3-54/133_NE	22642009	RG 223/U only	single	9099	32.0 g/1.12 oz.

Cable groups see page 28

Assembly tools see page 385

Mounting holes see page 412

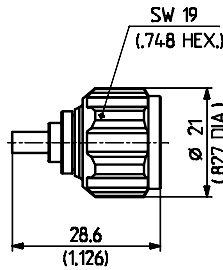
- > for flexible cables
- > cable entry clamp
- > centre contact soldered



HUBER+SUHNER type	Item no.	Cable group (example)	Packaging	Assembly instruction	Weight
11_N-50-7-5/133_NE	22542117	U33, 28 (RG 214/U)	single	3007	51.0 g/1.79 oz.
11_N-50-7-6/133_NE	22542120	U33, 28 (RG 214/U)	single	3008	51.0 g/1.79 oz.

☒ centre contact NOT captivated

- for flexible cables
- HUBER+SUHNER® full crimp
- taper sleeves see page 406



HUBER+SUHNER type	Item no.	Cable group (example)	Packaging	Assembly instruction	Crimp insert	Weight
11_N-50-2-11/133_NH	22658813	U2 (RG 316/U)	bulk 100 pcs.	9068	1 A	26.5 g/0.93 oz.
11_N-50-2-16/133_NE	23014128	U4 (K 02252 D)	single	9068	1 A	25.4 g/0.89 oz.

- > for flexible cables
- > HUBER+SUHNER® full crimp
- > taper sleeves see page 406

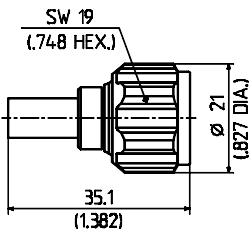


Fig. 1

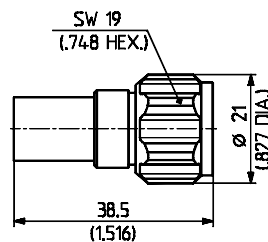


Fig. 2



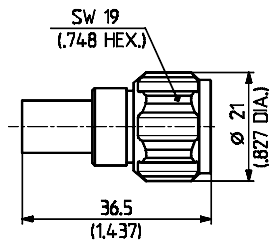
HUBER+SUHNER type	Item no.	Cable group (example)	Packaging	Assembly instruction	Crimp insert	Weight	Fig.
11_N-50-3-28/133_NE	22642842	U7 (RG 58 C/U)	single	3015	2 B	23.0 g/0.81 oz.	1
11_N-50-3-29/133_NE	22642843	U9 (RG 223/U)	single	3015	2 B	23.0 g/0.81 oz.	1
11_N-50-3-31/133_NE	22648829	U11 (RG 400/U)	single	3015	2 B	28.0 g/0.98 oz.	1
11_N-50-3-31/133_NH	22650658	U11 (RG 400/U)	bulk 100 pcs.	3015	2 B	28.0 g/0.98 oz.	1
11_N-50-4-63/133_NE	22652069	S16 (S 04262 D)	single	3015	2 C	27.3 g/0.96 oz.	1
11_N-50-6-1/133_NE	22642488	U25 (S 06132D)	single	27035	3 D	34.0 g/1.19 oz.	2

Cable groups see page 28

Assembly tools see page 385

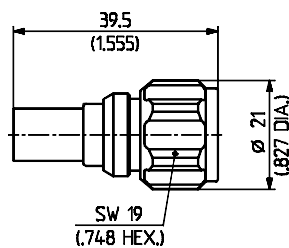
Mounting holes see page 412

- > for flexible cables
- > HUBER+SUHNER® full crimp
- > taper sleeves see page 406



HUBER+SUHNER type	Item no.	Cable group (example)	Packaging	Assembly instruction	Crimp insert	Weight
11_N-50-6-5/133_NE	22648674	S26 (S 06132 D-10)	single	27082	3/8.65	31.0 g/1.09 oz.

- > for flexible cables
- > cable entry crimp
- > centre contact plugged-in
- > taper sleeves see page 406



HUBER+SUHNER type	Item no.	Cable group (example)	Packaging	Assembly instruction	Crimp insert	Weight
11_N-50-6-10/133_NH	22660330	S24 (S 06162 D-02)	bulk 100 pcs.	27091	8.65	29.5 g/1.03 oz.

- > for flexible cables
- > HUBER+SUHNER® full crimp
- > taper sleeves see page 406

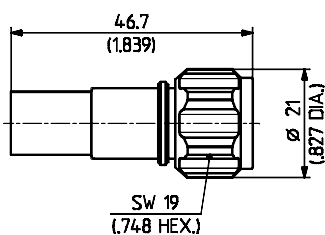


Fig. 1

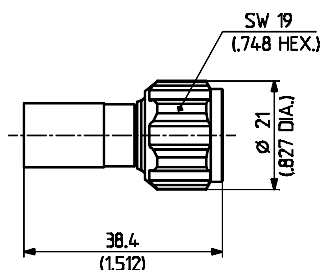


Fig. 2

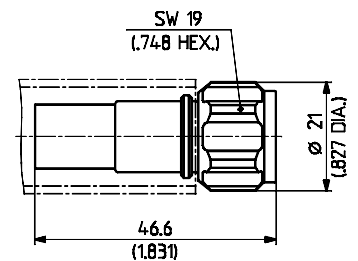
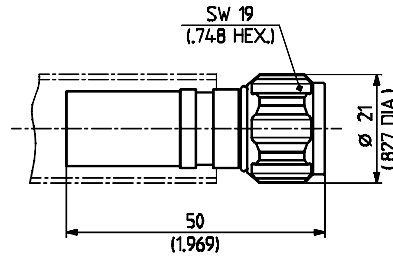


Fig. 3

HUBER+SUHNER type	Item no.	Cable group (example)	Packaging	Assembly instruction	Crimp insert	Weight	Fig.
11_N-50-7-33/133_NE	22641614	U30 (S 07232)	single	9067	4 D	39.0 g/1.37 oz.	1
11_N-50-7-43/133_NE	22642844	U29 (RG 213/U)	single	3061	3 D	28.0 g/0.98 oz.	2
11_N-50-7-44/133_NE	22642845	U32 (RG 214/U)	single	3061	3 D	28.0 g/0.98 oz.	2
11_N-50-7-49/133_NE	22652111	S32 (S 07262 BD)	single	9067	4 D	40.0 g/1.40 oz.	3
11_N-50-7-61/133_NE	22651793	U33 (RG 393/U)	single	27070	2.5 D	28.5 g/1.00 oz.	2

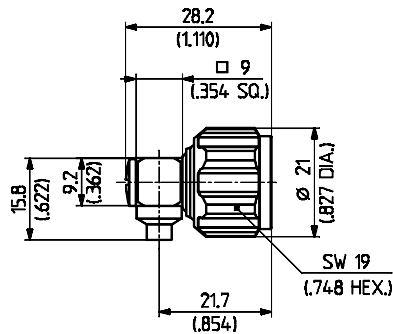
- > for flexible cables
- > cable entry crimp
- > centre contact plugged-in
- > degree of protection IP 67



HUBER+SUHNER type	Item no.	Cable group (example)	Packaging	Assembly instruction	Crimp insert	Weight
11_N-50-10-5/103_UV	23002543	S39 (S 10162 B-11)	bulk 20 pcs.	27356	12.4	37.8 g/1.32 oz.

Right angle cable plugs (male)

- > for semi-rigid cables
- > cable entry soldered
- > centre contact soldered



HUBER+SUHNER type	Item no.	Cable group (example)	Packaging	Assembly instruction	Weight
16_N-50-3-15/133_NE	22648832	Y5 (EZ 141)	single	9200	29.1 g/1.02 oz.

- > for flexible cables
- > cable entry clamp
- > centre contact soldered

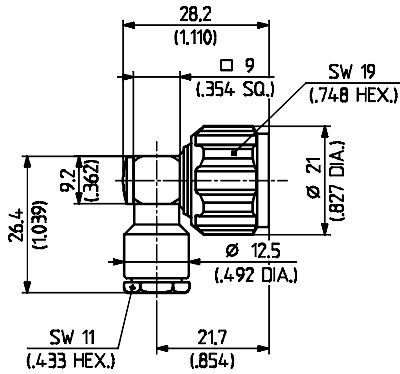


Fig. 1

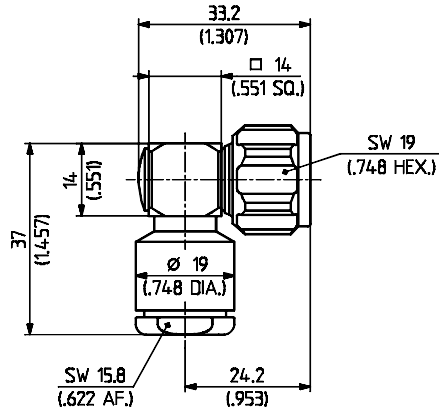


Fig. 2

HUBER+SUHNER type	Item no.	Cable group (example)	Packaging	Assembly instruction	Weight	Fig.
16_N-50-3-103/133_NE	22651610	U10, U7 (RG 223/U)	single	27060	37.0 g/1.30 oz.	1
16_N-50-7-26/133_NE	22650825	U28, U33 (RG 213/U)	single	27121	65.0 g/2.28 oz.	2

- > for flexible cables
- > cable entry crimp
- > centre contact soldered
- > taper sleeves see page 406

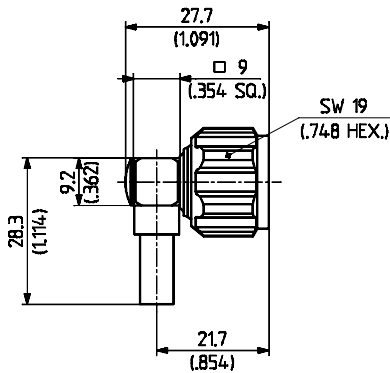


Fig. 1

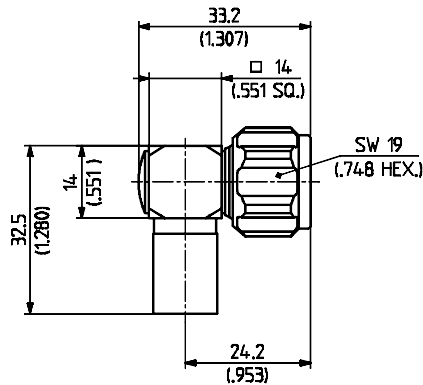


Fig. 2

HUBER+SUHNER type	Item no.	Cable group (example)	Packaging	Assembly instruction	Crimp insert	Weight	Fig.
16_N-50-3-26/133_NE	22642846	U7 (RG 58 C/U)	single	3058	B	27.0 g/0.95 oz.	1
16_N-50-3-27/133_NE	22642847	U9 (RG 223/U)	single	3058	B	27.0 g/0.95 oz.	1
16_N-50-3-27/133_NH	22650168	U9 (RG 223/U)	bulk 100 pcs.	3058	B	27.0 g/0.95 oz.	1
16_N-50-7-30/133_NE	22642848	U29 (RG 213/U)	single	3076	D	42.0 g/1.47 oz.	2
16_N-50-7-31/133_NE	22642849	U32 (RG 214/U)	single	3076	D	42.0 g/1.47 oz.	2

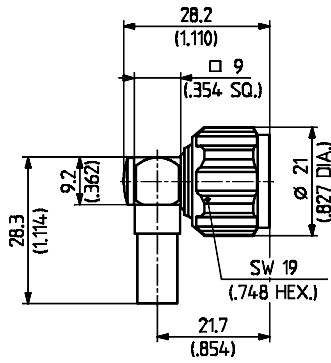
Cable groups see page 28

Assembly tools see page 385

Mounting holes see page 412

> for flexible cables

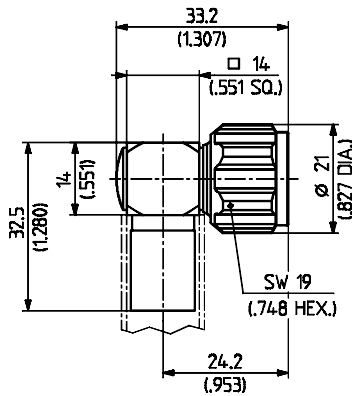
- > cable entry crimp
- > centre contact soldered
- > taper sleeves see page 406



HUBER+SUHNER type	Item no.	Cable group (example)	Packaging	Assembly instruction	Crimp insert	Weight
16_N-50-4-14/133_NE	23015067	S16 (S 04262 D)	single	3058	C	31.7 g/1.11 oz.

> for flexible cables

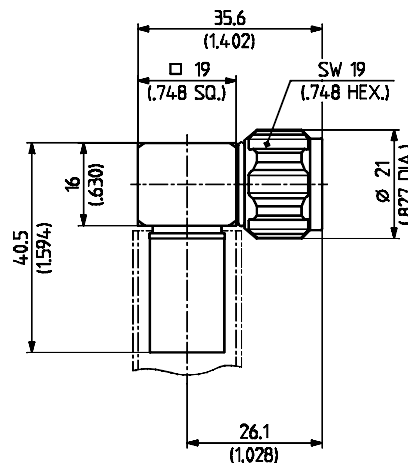
- > cable entry crimp
- > centre contact soldered
- > taper sleeves see page 406



HUBER+SUHNER type	Item no.	Cable group (example)	Packaging	Assembly instruction	Crimp insert	Weight
16_N-50-7-22/133_NE	22651794	S32 (S 07262 BD)	single	9094	D	50.0 g/1.75 oz.

> for flexible cables

- > cable entry crimp
- > centre contact soldered
- > degree of protection IP 67
- > taper sleeves see page 406



HUBER+SUHNER type	Item no.	Cable group (example)	Packaging	Assembly instruction	Crimp insert	Weight
16_N-50-10-1/103_UV	23002552	S39 (S 10162 B-11)	bulk 20 pcs.	27357	12.4	50.0 g/1.75 oz. *

* centre contact not nickel underplated

- > for flexible cables
- > HUBER+SUHNER® full crimp
- > taper sleeves see page 406

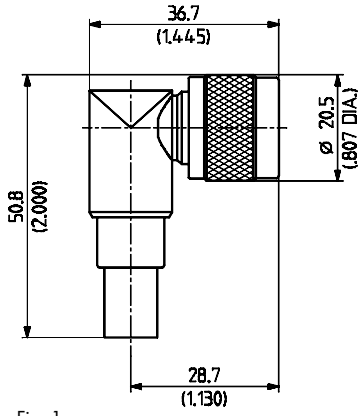


Fig. 1

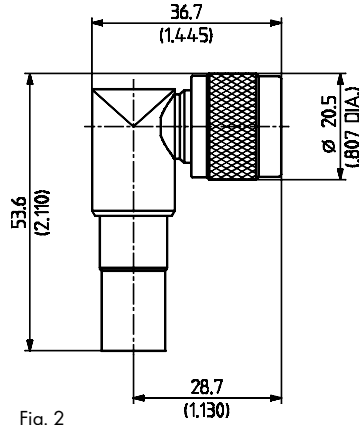


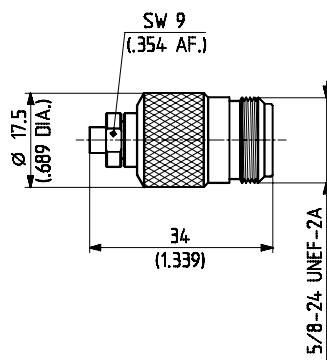
Fig. 2



HUBER+SUHNER type	Item no.	Cable group (example)	Packaging	Assembly instruction	Crimp insert	Weight	Fig.
16_N-50-6-8/133_NE	22651496	S26 (S 06132 D-10)	single	27082	3/8.65	63.0 g/2.21 oz.	1
16_N-50-7-28/133_NE	22652040	U33 (RG 393/U)	single	27064	4 D	63.6 g/2.23 oz.	2
16_N-50-7-29/133_NE	22651494	U29 (RG 213/U)	single	9009	3 D	65.0 g/2.28 oz.	2
16_N-50-7-36/133_NE	22651495	U32 (RG 214/U)	single	9009	3 D	66.0 g/2.31 oz.	2

Straight cable jacks (female)

- > for semi-rigid cables
- > cable entry soldered
- > centre contact soldered



HUBER+SUHNER type	Item no.	Cable group (example)	Packaging	Assembly instruction	Frequency range	Weight
21_N-50-2-14/133_NE	22642666	Y3, Y11 (EZ 86)	single	9073	DC-18 GHz	38.0 g/1.33 oz.
21_N-50-3-11/133_NE	22543921	Y5, Y12 (EZ 141)	single	9005	DC-12.4 GHz	38.0 g/1.33 oz.

☒ centre contact NOT captivated

> for flexible cables

> cable entry clamp

> centre contact soldered

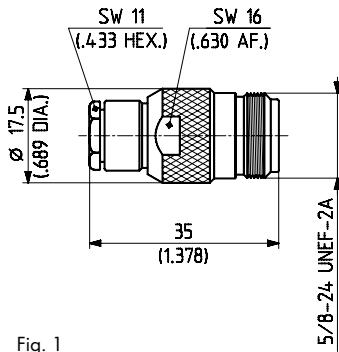


Fig. 1

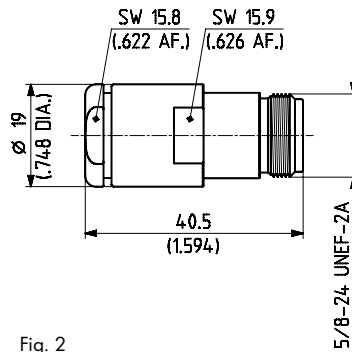


Fig. 2

HUBER+SUHNER type	Item no.	Cable group (example)	Packaging	Assembly instruction	Weight	Fig.
21_N-50-3-5/133_NE	22543504	U10, U7 (RG 223/U)	single	3017	38.0 g/1.33 oz.	1
21_N-50-7-8/133_NE	22542254	U28, U33 (RG 213/U)	single	3008	50.0 g/1.75 oz.	2

> for flexible cables

> HUBER+SUHNER® full crimp

> taper sleeves see page 406

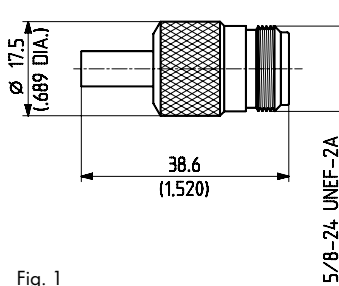


Fig. 1

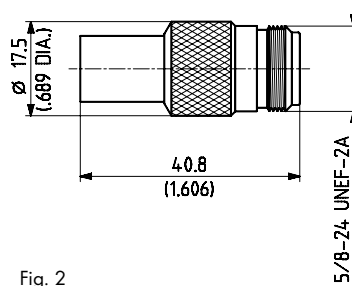
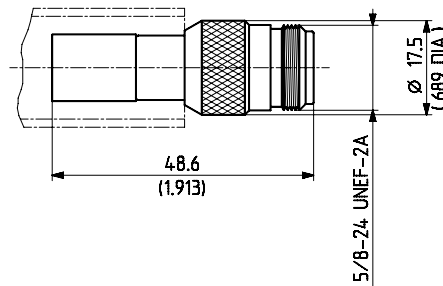


Fig. 2

HUBER+SUHNER type	Item no.	Cable group (example)	Packaging	Assembly instruction	Crimp insert	Weight	Fig.
21_N-50-3-7/133_NE	22542229	U7 (RG 58 C/U)	single	3063	2 B	36.0 g/1.26 oz.	1
21_N-50-3-8/133_NE	22542231	U9 (RG 223/U)	single	3063	2 B	36.0 g/1.26 oz.	1
21_N-50-3-12/133_NE	22651795	U11 (RG 400/U)	single	3063	2 B	35.0 g/1.12 oz.	1
21_N-50-7-13/133_NE	22542257	U29 (RG 213/U)	single	3061	3 D	38.0 g/1.33 oz.	2
21_N-50-7-14/133_NE	22542258	U32 (RG 214/U)	single	3061	3 D	37.0 g/1.30 oz.	2

> for flexible cables

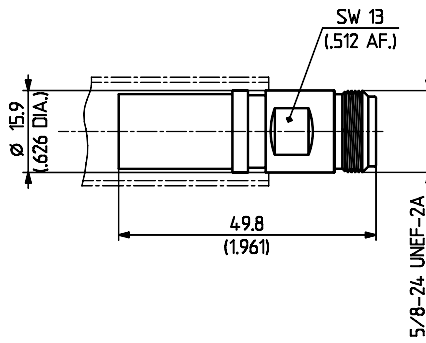
- > HUBER+SUHNER® full crimp
- > taper sleeves see page 406
- > degree of protection IP 66



HUBER+SUHNER type	Item no.	Cable group (example)	Packaging	Assembly instruction	Crimp insert	Weight
21_N-50-7-20/133_NE	22651796	S32 (S 07262 BD)	single	9067	4 D	37.0 g/1.30 oz.

> for flexible cables

- > cable entry crimp
- > centre contact plugged-in
- > degree of protection IP 67



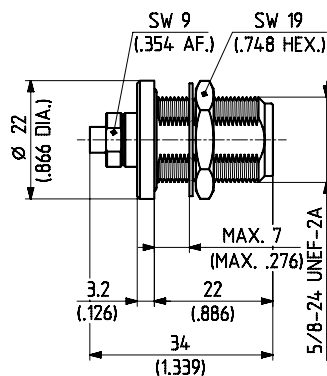
HUBER+SUHNER type	Item no.	Cable group (example)	Packaging	Assembly instruction	Crimp insert	Weight
21_N-50-10-1/133_UF	23003072	S39 ... (S 10162 B-11)	bulk 50 pcs.	27356	12.4	38.1 g/1.33 oz. *

* centre contact not nickel underplated

Straight bulkhead cable jacks (female)

> for semi-rigid cables

- > cable entry soldered
- > centre contact soldered
- > with panel seal
- > insulating washers see page 408



HUBER+SUHNER type	Item no.	Cable group (example)	Packaging	Assembly instruction	Frequency range	Weight
24_N-50-2-14/133_NE	22544637	Y3, Y11 (EZ 86)	single	9073	DC-12.4 GHz	39.0 g/1.37 oz.
24_N-50-3-14/133_NE	22542300	Y5, Y12 (EZ 141)	single	9005	DC-12.4 GHz	39.0 g/1.37 oz.

mounting hole ML 12

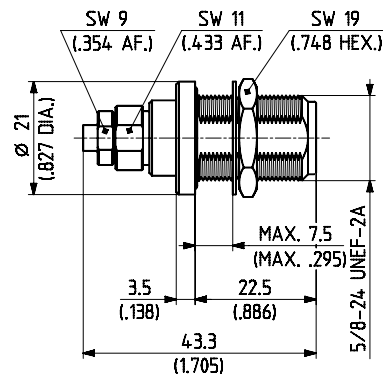
Cable groups see page 28

Assembly tools see page 385

Mounting holes see page 412

> for semi-rigid cables

- > cable entry soldered
- > centre contact plugged-in
- > body material: stainless steel
- > with panel seal
- > insulating washers see page 408

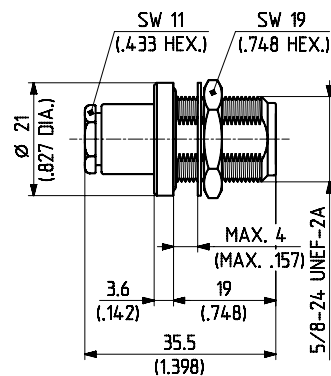


HUBER+SUHNER type	Item no.	Cable group (example)	Packaging	Assembly instruction	Frequency range	Weight
24_N-50-3-51/19_NE	22642344	Y5, Y12 (EZ 141)	single	9006	DC-18 GHz	45.0 g/1.58 oz.

mounting hole ML 12

> for flexible cables

- > cable entry clamp
- > centre contact soldered
- > with panel seal
- > insulating washers see page 408



HUBER+SUHNER type	Item no.	Cable group (example)	Packaging	Assembly instruction/ Mounting hole	Weight
24_N-50-2-1/133_NE	22641239	U2 (RG 316/U)	single	9150 / ML 12	42.0 g/1.47 oz.

> for flexible cables

- > cable entry clamp
- > centre contact soldered
- > with panel seal
- > insulating washers see page 408

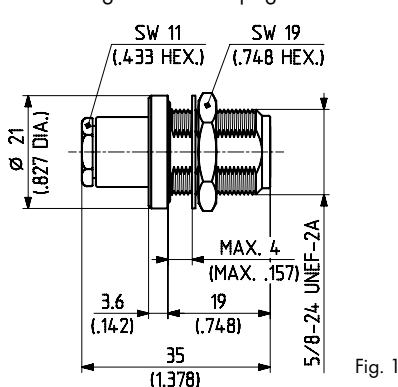


Fig. 1

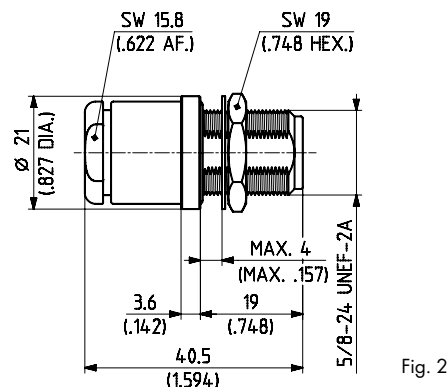


Fig. 2



HUBER+SUHNER type	Item no.	Cable group (example)	Packaging	Assembly instruction/ Mounting hole	Weight	Fig.
24_N-50-3-10/133_NE	22542295	U7, 10 (RG 58C/U)	single	9150 / ML 12	41.0 g/1.44 oz.	1
24_N-50-7-8/133_NE	22542323	U33, 28 (RG 214/U)	single	3008 / ML 12	53.0 g/1.86 oz.	2

> for flexible cables

- > HUBER+SUHNER® full crimp
- > taper sleeves see page 406
- > insulating washers see page 408

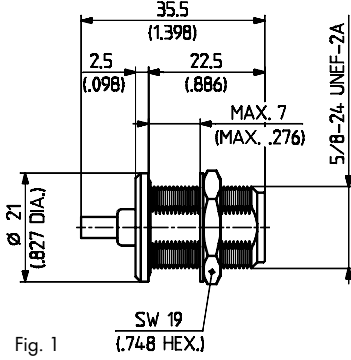


Fig. 1

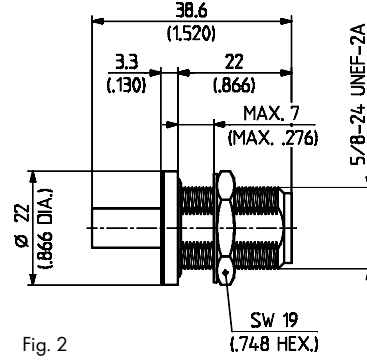


Fig. 2



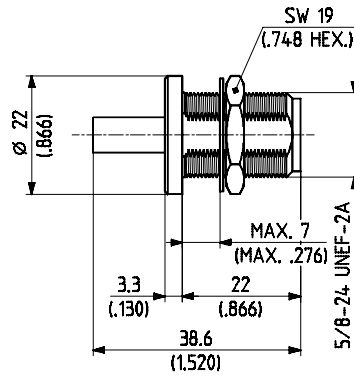
HUBER+SUHNER type	Item no.	Cable group (example)	Packaging	Assembly instruction	Crimp insert	Weight	Fig.
24_N-50-2-4/133_NE	22650170	U2 (RG 316/U)	single	9068	1 A	35.2 g/1.23 oz.	1
24_N-50-2-117/133_NE	22660124	U4 (K 02252 D)	single	9068	1 A	36.1 g/1.26 oz.	1
24_N-50-4-17/133_UE	22651789	S16 (S 04262 D)	single	3063	2 C	37.3 g/1.31 oz.	2 *

* has to be crimped with large crimp tool or table press!
centre contact not nickel underplated

mounting hole ML 12

> for flexible cables

- > HUBER+SUHNER® full crimp
- > taper sleeves see page 406
- > insulating washers see page 408



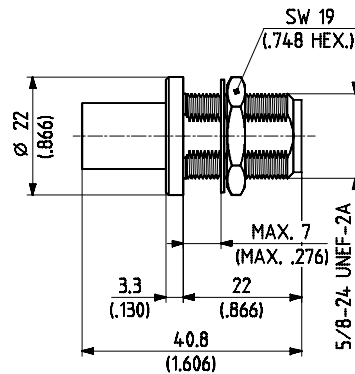
HUBER+SUHNER type	Item no.	Cable group (example)	Packaging	Assembly instruction	Crimp insert	Weight
24_N-50-3-11/133_NE	22542296	U7 (RG 58 C/U)	single	3063	2 B	38.0 g/1.33 oz. *
24_N-50-3-12/133_NE	22542297	U9 (RG 223/U)	single	3063	2 B	38.0 g/1.33 oz. *

* has to be crimped with large crimp tool or table press!

mounting hole ML 12

> for flexible cables

- > HUBER+SUHNER® full crimp
- > taper sleeves see page 406
- > insulating washers see page 408

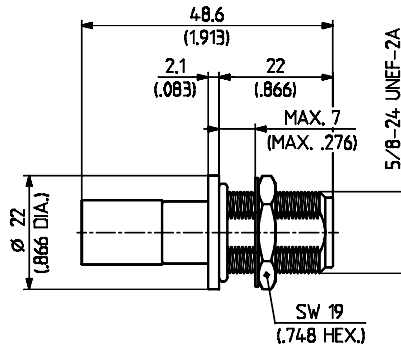


HUBER+SUHNER type	Item no.	Cable group (example)	Packaging	Assembly instruction	Crimp insert	Weight
24_N-50-7-14/133_NE	22542326	U29 (RG 213/U)	single	3061	3 D	40.0 g/1.40 oz.
24_N-50-7-15/133_NE	22542327	U32 (RG 214/U)	single	3061	3 D	40.0 g/1.40 oz.

mounting hole ML 12

> for flexible cables

- > HUBER+SUHNER® full crimp
- > taper sleeves see page 406
- > insulating washers see page 408



HUBER+SUHNER type	Item no.	Cable group (example)	Packaging	Assembly instruction	Crimp insert	Weight
24_N-50-7-24/133_NE	22649912	U33 (RG 393/U)	single	27064	3 D	39.3 g/1.38 oz.

mounting hole ML 12

Straight panel cable jacks (female)

- > for semi-rigid cables
- > cable entry soldered
- > centre contact soldered
- > fastening screws see page 407

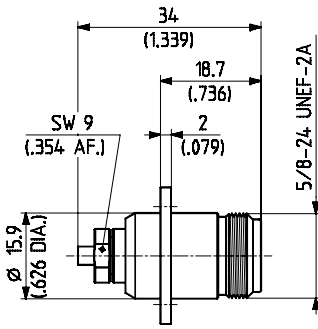


Fig. 1

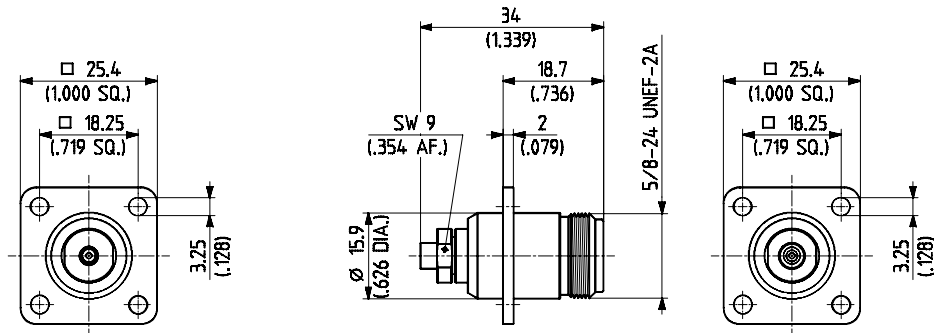
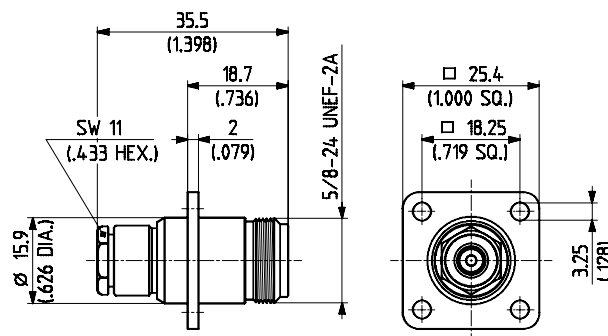


Fig. 2

HUBER+SUHNER type	Item no.	Cable group (example)	Packaging	Assembly instruction	Frequency range	Weight	Fig.
25_N-50-2-14/133_NE	22641303	Y3, Y11 (EZ 86)	single	9073	DC-12.4 GHz	42 g/1.47 oz.	1
25_N-50-3-9/133_NE	22543952	Y5, Y12 (EZ 141)	single	9005	DC-12.4 GHz	42 g/1.47 oz.	2

mounting hole ML 14

- > for flexible cables
- > cable entry clamp
- > centre contact soldered
- > fastening screws see page 407

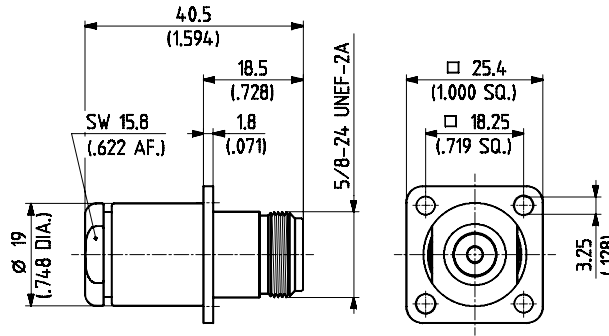


HUBER+SUHNER type	Item no.	Cable group (example)	Packaging	Assembly instruction/ Mounting hole	Weight
25_N-50-2-2/133_NE	22542332	U2 (RG 316/U)	single	3017 / ML 14	45.0 g/1.58 oz.
25_N-50-3-4/133_NE	22542342	U7, 10 (RG 58C/U)	single	3017 / ML 14	44.0 g/1.54 oz.

☒ centre contact NOT captivated

> for flexible cables

- > cable entry clamp
- > centre contact soldered
- > fastening screws see page 407



HUBER+SUHNER type	Item no.	Cable group (example)	Packaging	Assembly instruction/ Mounting hole	Weight
25_N-50-7-8/133_NE	22542366	U33, 28 (RG 214/U)	single	3008 / ML 18	55.0 g/1.93 oz.

> for flexible cables

- > HUBER+SUHNER® full crimp
- > fastening screws see page 407
- > taper sleeves see page 406

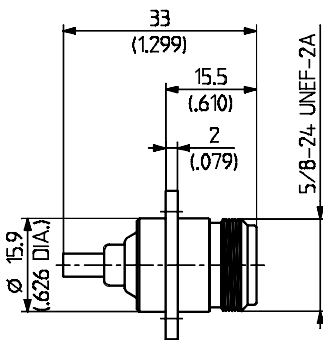


Fig. 1

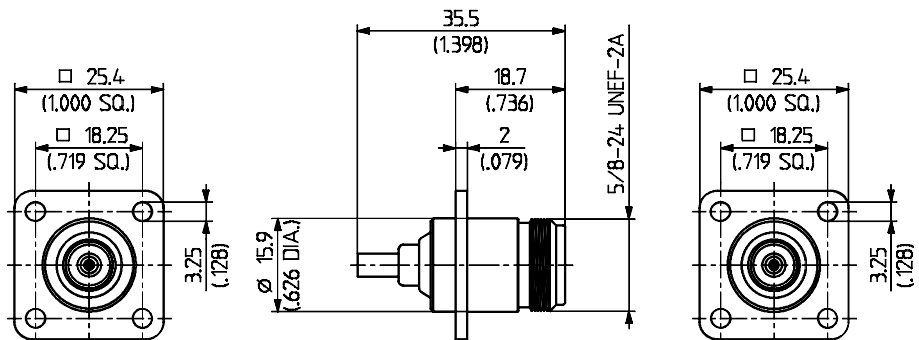


Fig. 2

HUBER+SUHNER type	Item no.	Cable group (example)	Packaging	Assembly instruction	Crimp insert	Weight	Fig.
25_N-50-2-9/133_NE	22651072	U2 (RG 316/U)	single	3068	1 A	34.5 g/1.21 oz.	1
25_N-50-2-10/133_NE	22651054	U4 (K 02252 D)	single	3068	1 A	38.6 g/1.35 oz.	2

mounting hole ML 14

> for flexible cables

- > HUBER+SUHNER® full crimp
- > fastening screws see page 407
- > taper sleeves see page 406

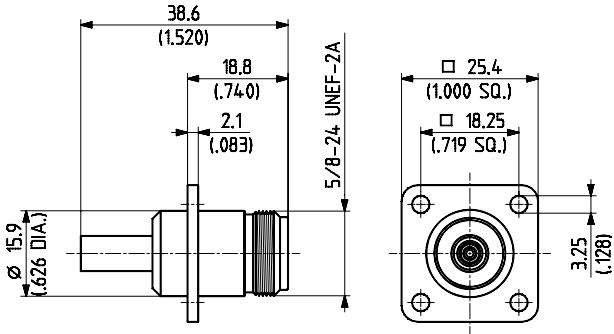


Fig. 1

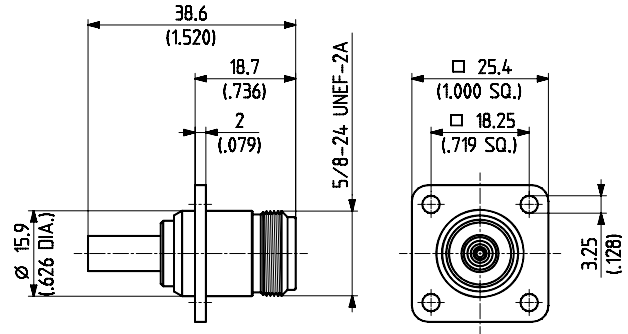


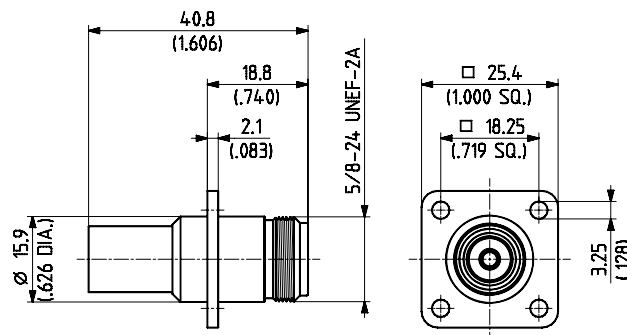
Fig. 2

HUBER+SUHNER type	Item no.	Cable group (example)	Packaging	Assembly instruction	Crimp insert	Weight	Fig.
25_N-50-3-6/133_NE	22542346	U7 (RG 58 C/U)	single	3063	2 B	39.0 g/1.37 oz.	1
25_N-50-3-7/133_NE	22542348	U9 (RG 223/U)	single	3063	2 B	39.0 g/1.37 oz.	1
25_N-50-3-20/133_NE	22649913	U11 (RG 400/U)	single	3063	2 B	37.0 g/1.30 oz.	2

mounting hole ML 14

> for flexible cables

- > HUBER+SUHNER® full crimp
- > fastening screws see page 407
- > taper sleeves see page 406



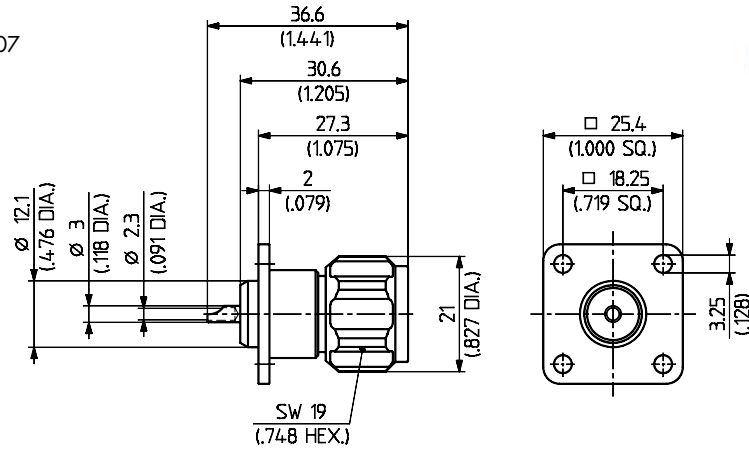
HUBER+SUHNER type	Item no.	Cable group (example)	Packaging	Assembly instruction	Crimp insert	Weight
25_N-50-7-13/133_NE	22542369	U29 (RG 213/U)	single	3061	3 D	42.0 g/1.47 oz.
25_N-50-7-14/133_NE	22542370	U32 (RG 214/U)	single	3061	3 D	42.0 g/1.47 oz.

mounting hole ML 14

RECEPTACLES WITH SOLDER END

Receptacles, plugs (male)

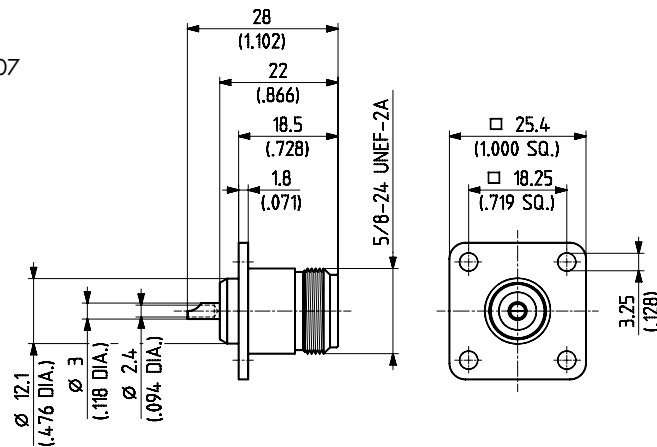
- > panel mounted
- > fastening screws see page 407



HUBER+SUHNER type	Item no.	Packaging	Mounting hole	Weight
13_N-50-0-1/133_NE	22542173	single	ML 16	46.0 g/1.61 oz.

Receptacles, jacks (female)

- > panel mounted
- > fastening screws see page 407



HUBER+SUHNER type	Item no.	Packaging	Mounting hole	Weight
23_N-50-0-1/133_NE	22542272	single	ML 17	31.0 g/1.09 oz.

- > bulkhead mounted
- > solder tags see page 409
- > with panel seal
- > insulating washers see page 408

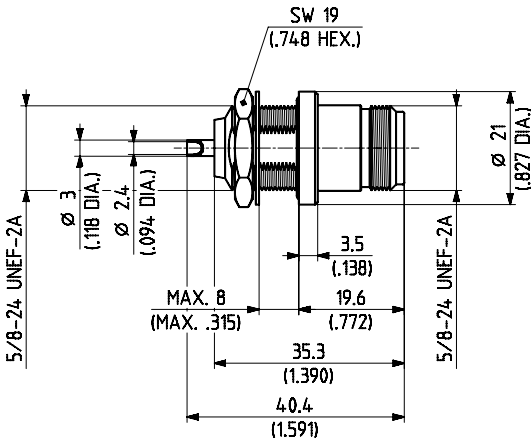


Fig. 1

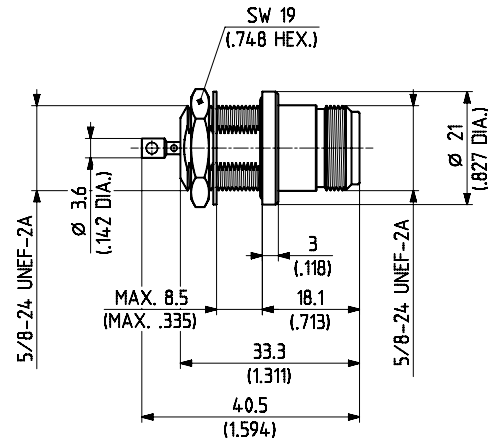


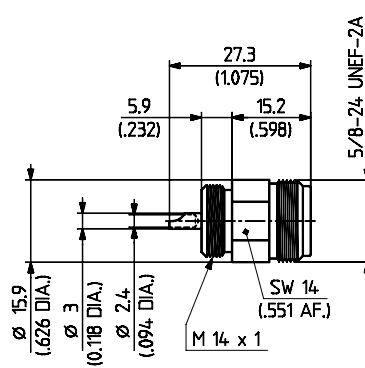
Fig. 2

HUBER+SUHNER type	Item no.	Packaging	Mounting hole	Weight	Notes	Fig.
22_N-50-0-2/133_NE	22542265	single	ML 12	47.0 g/1.65 oz.		1
22_N-50-0-3/133_NE	22644425	single	ML 12	47.0 g/1.65 oz.	hermetically sealed *	2

* leak rate 10^{-6} Torr l/sec.(atm cc/s) max.

* RoHs compliant alternative on request

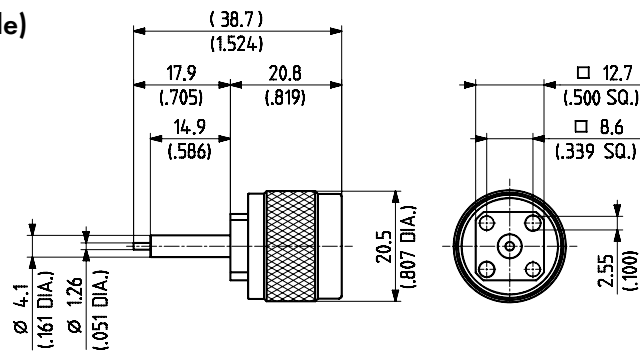
- > bulkhead mounted



HUBER+SUHNER type	Item no.	Packaging	Weight	Notes
22_N-50-0-23/133_NF	22651448	bulk 50 pcs.	20.8 g/0.73 oz.	without nut and washer (direct screw into panel, thread M14x1)

Receptacles, plugs (male)

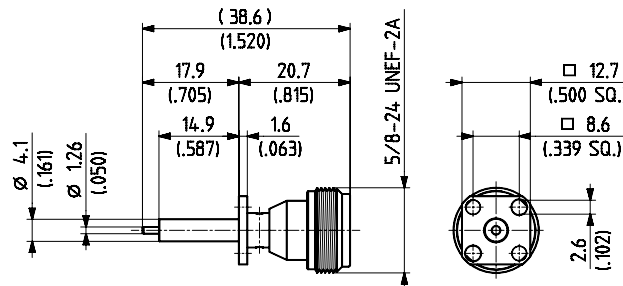
- > panel mounted
- > extended dielectric
- > fastening screws included



HUBER+SUHNER type	Item no.	Packaging	Weight	Notes
13_N-50-0-30/133_NE	22642831	single	30.0 g/1.05 oz.	SMA flange size

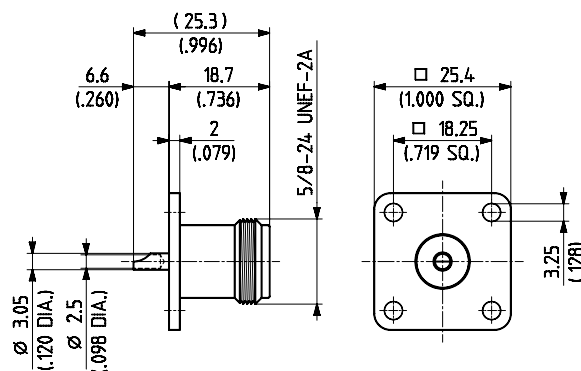
Receptacles, jacks (female)

- > panel mounted
- > extended dielectric
- > fastening screws see page 407



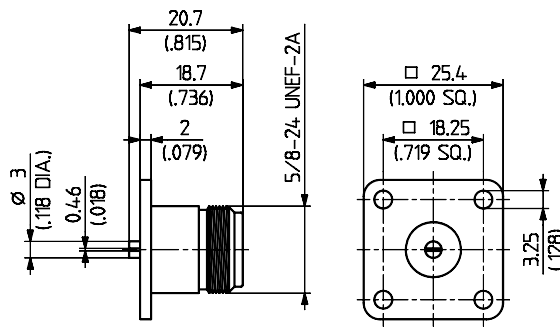
HUBER+SUHNER type	Item no.	Packaging	Weight	Notes
23_N-50-0-30/133_NE	22642835	single	14.0 g/0.49 oz.	SMA flange size

- > panel mounted
- > solder pot terminal
- > flush dielectric
- > fastening screws see page 407



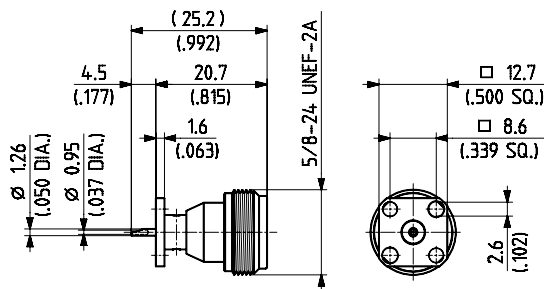
HUBER+SUHNER type	Item no.	Packaging	Weight	Notes
23_N-50-0-23/133_NE	22544751	single	24.0 g/0.84 oz.	

- > end of center pin slotted
- > panel mounted
- > flush dielectric
- > fastening screws see page 407



HUBER+SUHNER type	Item no.	Packaging	Weight	Notes
23_N-50-0-69/133_NX	22648797	bulk 150 pcs.	27.9 g/0.89 oz.	

- > panel mounted
- > solder pot terminal
- > flush dielectric
- > fastening screws see page 407

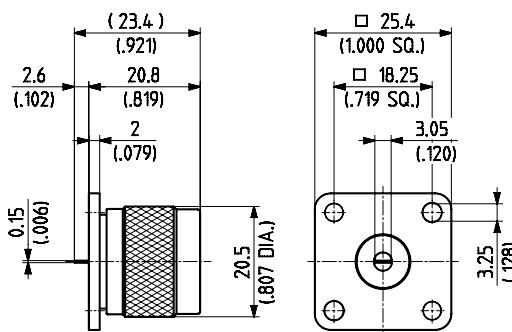


HUBER+SUHNER type	Item no.	Packaging	Weight	Notes
23_N-50-0-31/133_NE	22642836	single	13.6 g/0.48 oz.	SMA flange size

STRIPLINE LAUNCHERS

Receptacles, plugs (male)

- > panel mounted
- > tab contact
- > flush dielectric
- > fastening screws see page 407



HUBER+SUHNER type	Item no.	Packaging	Weight	Notes
13_N-50-0-33/133_NE	22642834	single	36.0 g/1.26 oz.	

Receptacles, jacks (female)

- > panel mounted
- > tab contact
- > flush dielectric
- > fastening screws see page 407

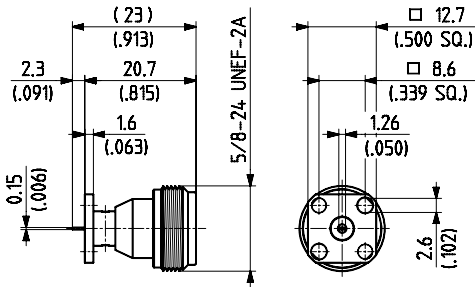


Fig. 1

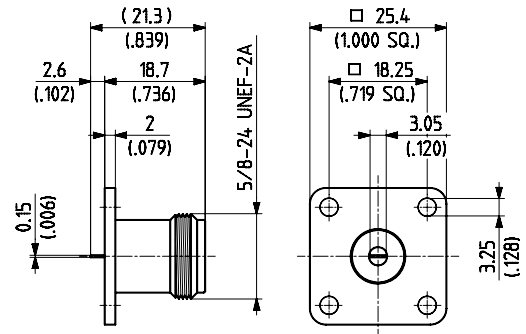


Fig. 2

HUBER+SUHNER type	Item no.	Packaging	Weight	Notes	Fig.
23_N-50-0-16/133_NE	22641166	single	13.5 g/0.47 oz.	SMA flange size	1
23_N-50-0-33/133_NE	22642837	single	24.5 g/0.86 oz.		2

PROTECTIVE CAPS

- > suitable for N50 Ω and N75 Ω
- > with chain

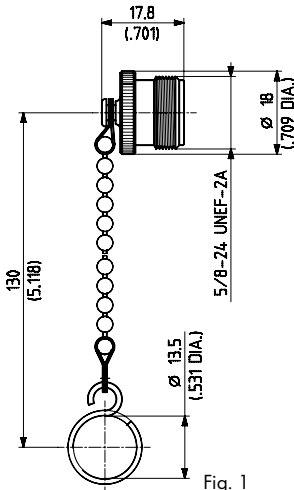


Fig. 1

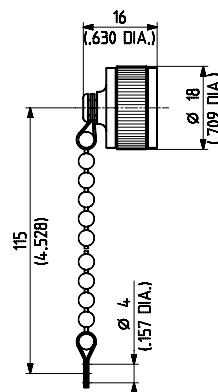


Fig. 2



HUBER+SUHNER type	Item no.	Packaging	Weight	Notes	Fig.
61_N-0-0-1/-3_E	22542452	single	16.0 g/0.56 oz.	for plugs	1
62_N-0-0-1/-3_E	22543433	single	15.0 g/0.53 oz.	for jacks	2