

# MAX691A/MAX693A/ MAX800L/MAX800M

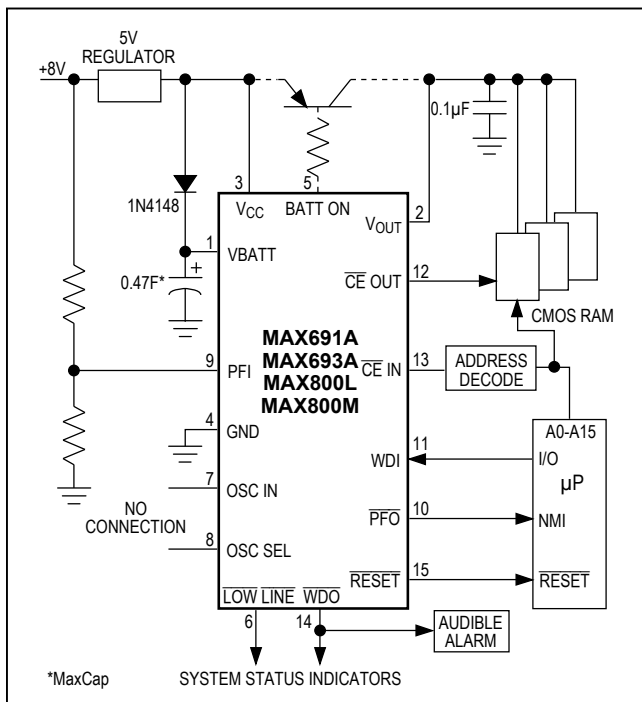
## General Description

The MAX691A/MAX693A/MAX800L/MAX800M microprocessor ( $\mu$ P) supervisory circuits are pin-compatible upgrades to the MAX691, MAX693, and MAX695. They improve performance with  $30\mu\text{A}$  supply current,  $200\text{ms}$  typ reset active delay on power-up, and  $6\text{ns}$  chip-enable propagation delay. Features include write protection of CMOS RAM or EEPROM, separate watchdog outputs, backup-battery switchover, and a  $\overline{\text{RESET}}$  output that is valid with  $V_{\text{CC}}$  down to  $1\text{V}$ . The MAX691A/MAX800L have a  $4.65\text{V}$  typical reset-threshold voltage, and the MAX693A/MAX800Ms' reset threshold is  $4.4\text{V}$  typical. The MAX800L/MAX800M guarantee power-fail accuracies to  $\pm 2\%$ .

## Applications

- Computers
- Controllers
- Intelligent Instruments
- Critical  $\mu$ P Power Monitoring

## Typical Operating Circuit



MaxCap is a registered trademark of Kanthal Global, Inc.

# Microprocessor Supervisory Circuits

## Features

- $200\text{ms}$  Power-OK/Reset Timeout Period
- $1\mu\text{A}$  Standby Current,  $30\mu\text{A}$  Operating Current
- On-Board Gating of Chip-Enable Signals,  $10\text{ns}$  max Delay
- MaxCap<sup>®</sup> or SuperCap Compatible
- Guaranteed  $\overline{\text{RESET}}$  Assertion to  $V_{\text{CC}} = +1\text{V}$
- Voltage Monitor for Power-Fail or Low-Battery Warning
- Power-Fail Accuracy Guaranteed to  $\pm 2\%$  (MAX800L/M)
- Available in 16-Pin Narrow SO, Plastic DIP, and TSSOP Packages

## Ordering Information

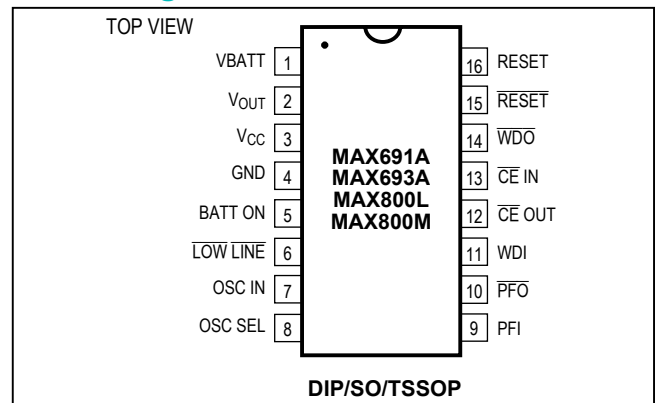
PART	TEMP RANGE	PIN-PACKAGE
MAX691ACUE	$-0^{\circ}\text{C}$ to $+70^{\circ}\text{C}$	16 TSSOP
MAX691ACSE	$-0^{\circ}\text{C}$ to $+70^{\circ}\text{C}$	16 Narrow SO
MAX691ACWE	$-0^{\circ}\text{C}$ to $+70^{\circ}\text{C}$	16 Wide SO
MAX691ACPE	$-0^{\circ}\text{C}$ to $+70^{\circ}\text{C}$	16 Plastic DIP
MAX691AC/D	$-0^{\circ}\text{C}$ to $+70^{\circ}\text{C}$	Dice*
MAX691AEUE	$-0^{\circ}\text{C}$ to $+70^{\circ}\text{C}$	16 TSSOP
MAX691AESE	$-40^{\circ}\text{C}$ to $+85^{\circ}\text{C}$	16 Narrow SO
MAX691AEWE	$-40^{\circ}\text{C}$ to $+85^{\circ}\text{C}$	16 Wide SO
MAX691AEPE	$-40^{\circ}\text{C}$ to $+85^{\circ}\text{C}$	16 Plastic DIP

Ordering Information continued at end of data sheet.

\*Dice are specified at  $T_A = +25^{\circ}\text{C}$ , DC parameters only.

Devices in PDIP, SO, and TSSOP packages are available in both leaded and lead-free packaging. Specify lead free by adding the + symbol at the end of the part number when ordering. Lead free not available for Cerdip package.

## Pin Configuration



### Absolute Maximum Ratings

Terminal Voltage (with respect to GND)

V <sub>CC</sub> .....	-0.3V to +6V
V <sub>VBATT</sub> .....	-0.3V to +6V
All Other Inputs.....	-0.3V to (V <sub>OUT</sub> + 0.3V)

Input Current

V <sub>CC</sub> Peak.....	1.0A
V <sub>CC</sub> Continuous.....	250mA
VBATT Peak.....	250mA
VBATT Continuous.....	25mA
GND, BATT ON.....	100mA
All Other Outputs.....	25mA

Continuous Power Dissipation (T<sub>A</sub> = +70°C)

TSSOP (derate 6.70mW/°C above +70°C).....	533mW
Narrow SO (derate 8.70mW/°C above +70°C).....	696mW
Wide SO (derate 9.52mW/°C above +70°C).....	762mW
Plastic DIP (derate 10.53mW/°C above +70°C).....	842mW
CERDIP (derate 10.00mW/°C above +70°C).....	800mW

Operating Temperature Ranges

MAX69_AC_/MAX800_C_.....	0°C to +70°C
MAX69_AE_/MAX800_E_.....	-40°C to +85°C
MAX69_AMJE.....	-55°C to +125°C

Storage Temperature Range

Lead Temperature (soldering, 10s).....+300°C

Stresses beyond those listed under "Absolute Maximum Ratings" may cause permanent damage to the device. These are stress ratings only, and functional operation of the device at these or any other conditions beyond those indicated in the operational sections of the specifications is not implied. Exposure to absolute maximum rating conditions for extended periods may affect device reliability.

### Electrical Characteristics

(MAX691A, MAX800L: V<sub>CC</sub> = +4.75V to +5.5V; MAX693A, MAX800M: V<sub>CC</sub> = +4.5V to +5.5V; V<sub>VBATT</sub> = 2.8V, T<sub>A</sub> = T<sub>MIN</sub> to T<sub>MAX</sub>, unless otherwise noted.

PARAMETER	CONDITIONS		MIN	TYP	MAX	UNITS
Operating Voltage Range, V <sub>CC</sub> , V <sub>VBATT</sub> (Note 1)			0		5.5	V
V <sub>OUT</sub> Output	V <sub>CC</sub> = 4.5V	I <sub>OUT</sub> = 25mA	V <sub>CC</sub> - 0.05	V <sub>CC</sub> - 0.02		V
		I <sub>OUT</sub> = 250mA	MAX69_AC	V <sub>CC</sub> - 0.3	V <sub>CC</sub> - 0.2	
			MAX69_AE, MAX800_C/E	V <sub>CC</sub> - 0.35	V <sub>CC</sub> - 0.2	
			MAX69_A/M	V <sub>CC</sub> - 0.40		
I <sub>OUT</sub> = 210mA	MAX69_AC/AE, MAX800_C/E	V <sub>CC</sub> - 0.3V	V <sub>CC</sub> - 0.17			
V <sub>CC</sub> -to-V <sub>OUT</sub> On-Resistance	V <sub>CC</sub> = 4.5V	MAX69_AC, MAX800_C		0.8	1.2	Ω
		MAX69_AE, MAX800_E		0.8	1.4	
		MAX69_A/M		0.8	1.6	
V <sub>OUT</sub> in Battery-Backup Mode	V <sub>VBATT</sub> = 4.5V, I <sub>OUT</sub> = 20mA		V <sub>VBATT</sub> - 0.3			V
	V <sub>VBATT</sub> = 2.8V, I <sub>OUT</sub> = 10mA		V <sub>VBATT</sub> - 0.25			
	V <sub>VBATT</sub> = 2.0V, I <sub>OUT</sub> = 5mA		V <sub>VBATT</sub> - 0.15			
VBATT-to-V <sub>OUT</sub> On-Resistance	V <sub>VBATT</sub> = 4.5V				15	Ω
	V <sub>VBATT</sub> = 2.8V				25	
	V <sub>VBATT</sub> = 2.0V				30	
Supply Current in Normal Operating Mode (excludes I <sub>OUT</sub> )	V <sub>CC</sub> > V <sub>VBATT</sub> - 1V			30	100	μA
Supply Current in Battery-Backup Mode (excludes I <sub>OUT</sub> ) (Note 2)	V <sub>CC</sub> < V <sub>VBATT</sub> - 1.2V, V <sub>VBATT</sub> = 2.8V		T <sub>A</sub> = +25°C		0.04	μA
			T <sub>A</sub> = T <sub>MIN</sub> + T <sub>MIN</sub>		5	
VBATT Standby Current (Note 3)	V <sub>VBATT</sub> + 0.2V ≤ V <sub>CC</sub>		T <sub>A</sub> = +25°C		-0.1	μA
			T <sub>A</sub> = T <sub>MIN</sub> + T <sub>MIN</sub>		-1.0	
Battery Switchover Threshold	Power-up				V <sub>VBATT</sub> + 0.3	V
	Power-down				V <sub>VBATT</sub> - 0.3	

**Electrical Characteristics (continued)**

(MAX691A, MAX800L:  $V_{CC} = +4.75V$  to  $+5.5V$ ; MAX693A, MAX800M:  $V_{CC} = +4.5V$  to  $+5.5V$ ;  $V_{VBATT} = 2.8V$ ,  $T_A = T_{MIN}$  to  $T_{MAX}$ , unless otherwise noted.

PARAMETER	CONDITIONS	MIN	TYP	MAX	UNITS
Battery Switchover Hysteresis			60		mV
BATT ON Output Low Voltage	$I_{SINK} = 3.2mA$		0.1	0.4	V
	$I_{SINK} = 25mA$		0.7	1.5	
BATT ON Output Short-Circuit Current	Sink current		60	100	mA
	Source current	1	15	100	$\mu A$
<b>RESET AND WATCHDOG TIMER</b>					
Reset Threshold Voltage	MAX691A, MAX800L	4.50	4.65	4.75	V
	MAX693A, MAX800M	4.25	4.40	4.50	
	MAX800L, $T_A = +25^\circ C$ , $V_{CC}$ falling	4.55		4.70	
	MAX800M, $T_A = +25^\circ C$ , $V_{CC}$ falling	4.30		4.45	
Reset Threshold Hysteresis			15		mV
$V_{CC}$ to RESET Delay	Power-down		80		$\mu s$
LOW LINE-to-RESET Delay			800		ns
Reset Active Timeout Period, Internal Oscillator	Power-up	140	200	280	ms
Reset Active Timeout Period, External Clock (Note 4)	Power-up		2048		Clock Cycles
Watchdog Timeout Period, Internal Oscillator	Long period	1.0	1.6	2.25	sec
	Short period	70	100	140	ms
Watchdog Timeout Period, External Clock (Note 4)	Long period		4096		Clock Cycles
	Short period		1024		
Minimum Watchdog Input Pulse Width	$V_{IL} = 0.8V$ , $V_{IH} = 0.75 \times V_{CC}$	100			ns
RESET Output Voltage	$I_{SINK} = 50\mu A$ , $V_{CC} = 1V$ , $V_{BATT} = 0V$ , $V_{CC}$ falling		0.004	0.3	V
	$I_{SINK} = 3.2mA$ , $V_{CC} = 4.25V$		0.1	0.4	
	$I_{SOURCE} = 1.6mA$ , $V_{CC} = 5V$	3.5			
RESET Output Short-Circuit Current	Output source current		7	20	mA
RESET Output Voltage Low (Note 5)	$I_{SINK} = 3.2mA$	0.1	0.4		V
LOW LINE Output Voltage	$I_{SINK} = 3.2mA$ , $V_{CC} = 4.25V$			0.4	V
	$I_{SOURCE} = 1\mu A$ , $V_{CC} = 5V$	3.5			
LOW LINE Output Short-Circuit Current	Output source current	1	15	100	$\mu A$
WDO Output Voltage	$I_{SINK} = 3.2mA$			0.4	
	$I_{SOURCE} = 500\mu A$ , $V_{CC} = 5V$	3.5			
WDO Output Short-Circuit Current	Output source current		3	10	mA
WDI Threshold Voltage (Note 6)	$V_{IH}$	$0.75 \times V_{CC}$			V
	$V_{IL}$			0.8	
WDI Input Current	WDI = 0V	-50	-10		$\mu A$
	WDI = $V_{OUT}$		20	50	

**Electrical Characteristics (continued)**

(MAX691A, MAX800L:  $V_{CC} = +4.75V$  to  $+5.5V$ ; MAX693A, MAX800M:  $V_{CC} = +4.5V$  to  $+5.5V$ ;  $V_{VBATT} = 2.8V$ ,  $T_A = T_{MIN}$  to  $T_{MAX}$ , unless otherwise noted.

PARAMETER	CONDITIONS	MIN	TYP	MAX	UNITS
<b>POWER-FAIL COMPARATOR</b>					
PFI Input Threshold	MAX69_AC/AE/AM, $V_{CC} = 5V$	1.2	1.25	1.3	V
	MAX800_C/E, $V_{CC} = 5V$	1.225	1.25	1.275	
PFI Leakage Current			±0.01	±25	nA
$\overline{PFO}$ Output Voltage	$I_{SINK} = 3.2mA$			0.4	V
	$I_{SOURCE} = 1\mu A$ , $V_{CC} = 5V$	3.5			
$\overline{PFO}$ Output Short-Circuit Current	Output source current	1	15	100	μA
PFI-to-PFO Delay	$V_{IN} = -20mV$ , $V_{OD} = 15mV$		25		μs
	$V_{IN} = 20mV$ , $V_{OD} = 15mV$		60		
<b>CHIP-ENABLE GATING</b>					
$\overline{CE}$ IN Leakage Current	Disable mode		±0.005	±1	μA
$\overline{CE}$ IN-to- $\overline{CE}$ OUT Resistance (Note 7)	Enable mode		75	150	Ω
$\overline{CE}$ OUT Short-Circuit Current (Reset Active)	Disable mode, $\overline{CE}$ OUT = 0V	0.1	0.75	2.0	mA
$\overline{CE}$ IN-to- $\overline{CE}$ OUT Propagation Delay (Note 8)	50Ω source impedance driver, $C_{LOAD} = 50pF$		6	10	ns
$\overline{CE}$ OUT Output-Voltage High (Reset Active)	$V_{CC} = 5V$ , $I_{OUT} = -100\mu A$	3.5			V
	$V_{CC} = 0V$ , $V_{BATT} = 2.8V$ , $I_{OUT} = 1\mu A$	2.7			
RESET-to- $\overline{CE}$ OUT Delay	Power-down		12		μs
<b>INTERNAL OSCILLATOR</b>					
OSC IN Leakage Current	OSC SEL = 0V		0.10	±5	μA
OSC IN Input Pullup Current	OSC SEL = $V_{OUT}$ or floating, OSC IN = 0V		10	100	μA
OSC SEL Input Pullup Current	OSC SEL = 0V		10	100	μA
OSC IN Frequency Range	OSC SEL = 0V		50		kHz
OSC IN External Oscillator Threshold Voltage	$V_{IH}$	$V_{OUT} - 0.3$	$V_{OUT} - 0.6$		V
	$V_{IL}$		3.65	2.00	
OSC IN Frequency with External Capacitor	OSC SEL = 0V, $C_{OSC} = 47pF$		100		kHz

**Note 1:** Either  $V_{CC}$  or  $V_{BATT}$  can go to 0V, if the other is greater than 2.0V.

**Note 2:** The supply current drawn by the MAX691A/MAX800L/MAX800M from the battery excluding  $I_{OUT}$  typically goes to 10μA when  $(V_{BATT} - 1V) < V_{CC} < V_{BATT}$ . In most applications, this is a brief period as  $V_{CC}$  falls through this region.

**Note 3:** "+" = battery-discharging current, "-" = battery-charging current.

**Note 4:** Although presented as typical values, the number of clock cycles for the reset and watchdog timeout periods are fixed and do not vary with process or temperature.

**Note 5:** RESET is an open-drain output and sinks current only.

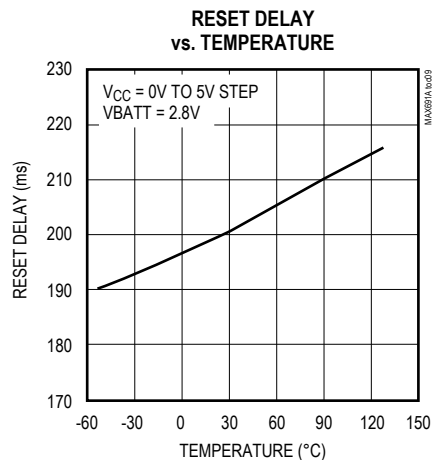
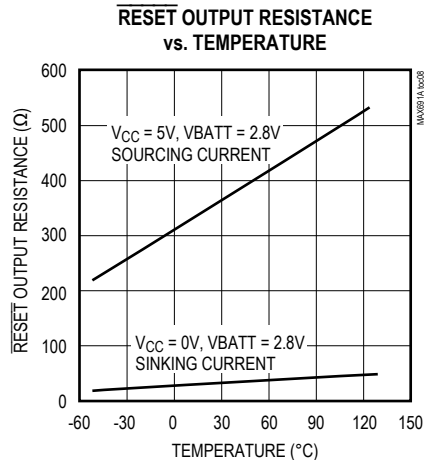
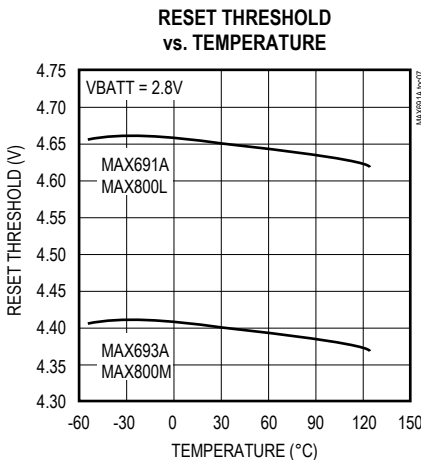
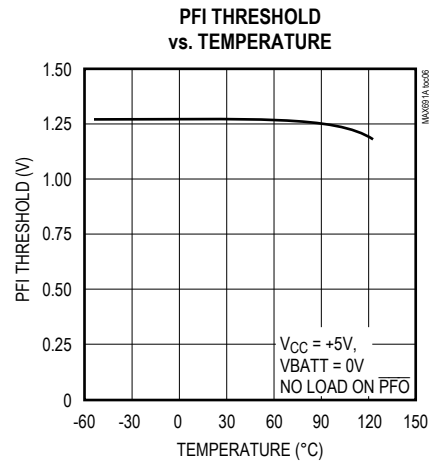
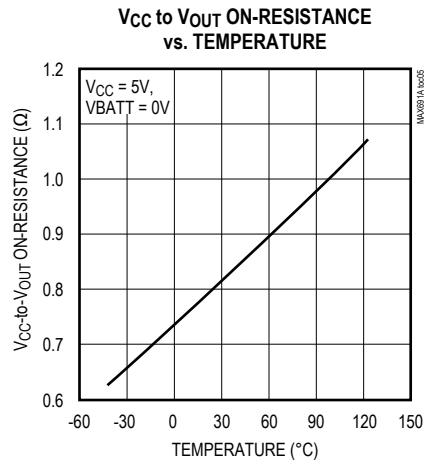
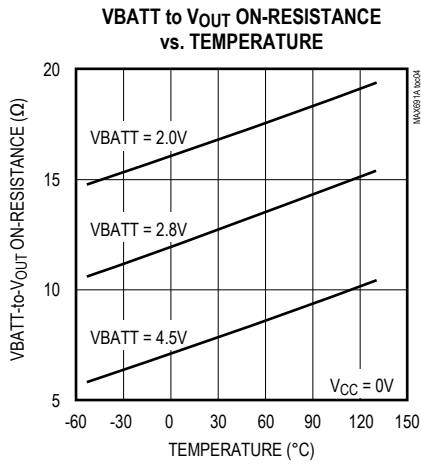
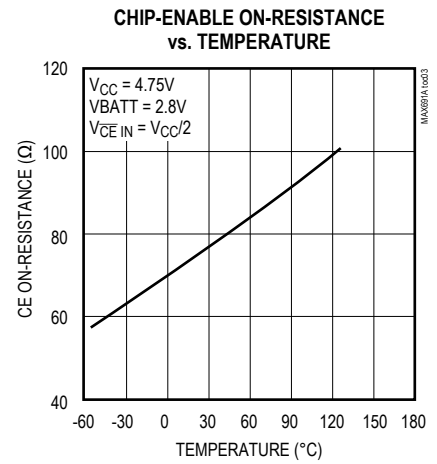
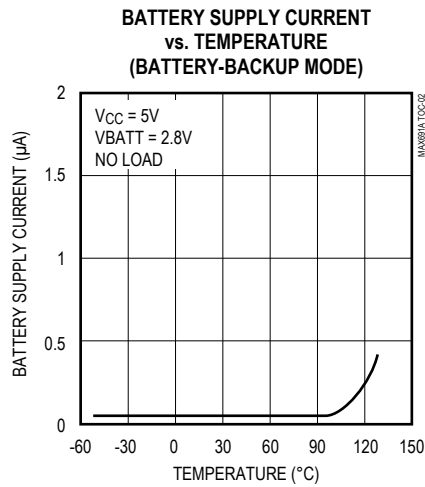
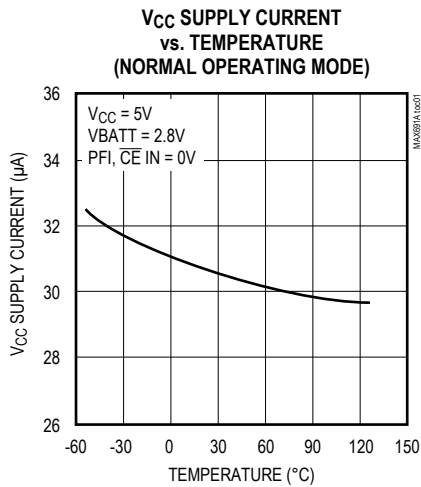
**Note 6:** WDI is internally connected to a voltage divider between  $V_{OUT}$  and GND. If unconnected, WDI is driven to 1.6V (typ), disabling the watchdog function.

**Note 7:** The chip-enable resistance is tested with  $V_{CC} = +4.75V$  for the MAX691A/MAX800L and  $V_{CC} = +4.5V$  for the MAX693A/MAX800M.  $\overline{CE}$  IN =  $\overline{CE}$  OUT =  $V_{CC}/2$ .

**Note 8:** The chip-enable propagation delay is measured from the 50% point at  $\overline{CE}$  IN to the 50% point at  $\overline{CE}$  OUT.

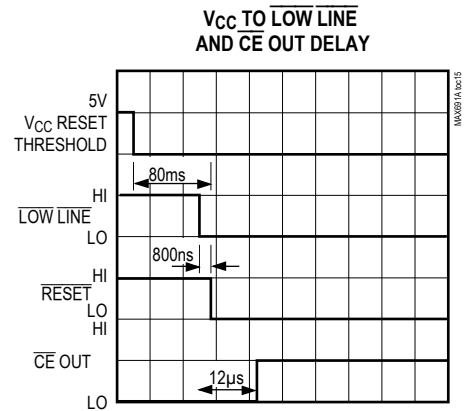
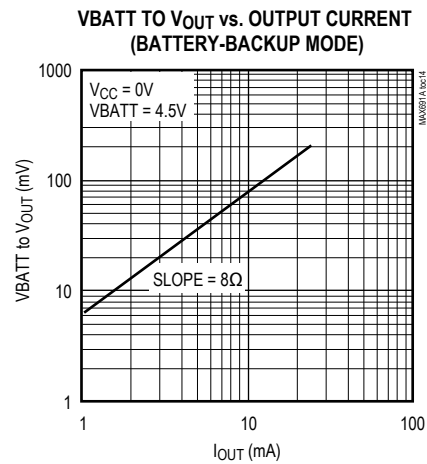
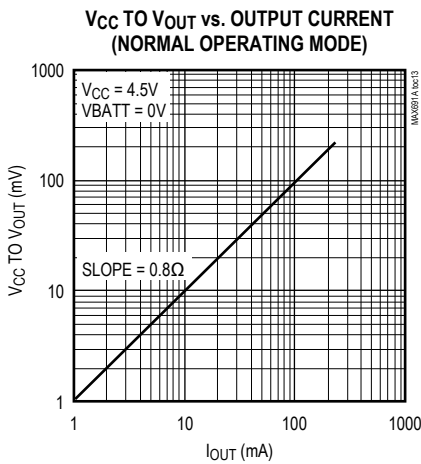
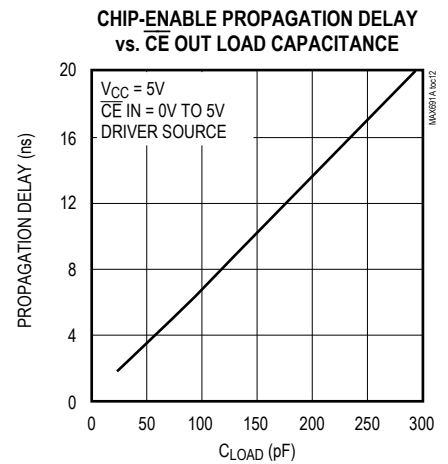
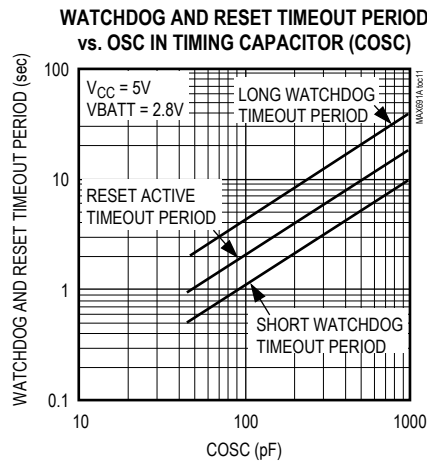
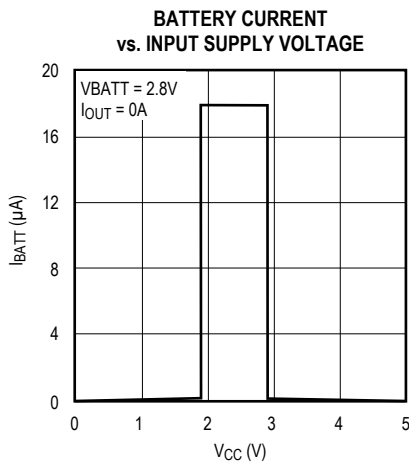
Typical Operating Characteristics

(TA = +25°C, unless otherwise noted.)



Typical Operating Characteristics (continued)

(TA = +25°C, unless otherwise noted.)



## Pin Description

PIN	NAME	FUNCTION
1	VBATT	Battery-Backup Input. Connect to external battery or capacitor and charging circuit. If backup battery is not used, connect to GND.
2	V <sub>OUT</sub>	Output Supply Voltage. When V <sub>CC</sub> is greater than VBATT and above the reset threshold, V <sub>OUT</sub> connects to V <sub>CC</sub> . When V <sub>CC</sub> falls below VBATT and is below the reset threshold, V <sub>OUT</sub> connects to VBATT. Connect a 0.1μF capacitor from V <sub>OUT</sub> to GND. Connect V <sub>OUT</sub> to V <sub>CC</sub> if no backup battery is used.
3	V <sub>CC</sub>	Input Supply Voltage, 5V Input.
4	GND	Ground. 0V reference for all signals.
5	BATT ON	Battery-On Output. When V <sub>OUT</sub> switches to VBATT, BATT ON goes high. When V <sub>OUT</sub> switches to V <sub>CC</sub> , BATT ON goes low. Connect the base of a PNP through a current-limiting resistor to BATT ON for V <sub>OUT</sub> current requirements greater than 250mA.
6	$\overline{\text{LOW LINE}}$	$\overline{\text{LOW LINE}}$ output goes low when V <sub>CC</sub> falls below the reset threshold. It returns high as soon as V <sub>CC</sub> rises above the reset threshold.
7	OSC IN	External Oscillator Input. When OSC SEL is unconnected or driven high, a 10μA pull-up connects from V <sub>OUT</sub> to OSC IN, the internal oscillator sets the reset and watchdog timeout periods, and OSC IN selects between fast and slow watchdog timeout periods. When OSC SEL is driven low, the reset and watchdog timeout periods may be set either by a capacitor from OSC IN to ground or by an external clock at OSC IN (Figure 3).
8	OSC SEL	Oscillator Select. When OSC SEL is unconnected or driven high, the internal oscillator sets the reset delay and watchdog timeout period. When OSC SEL is low, the external oscillator input (OSC IN) is enabled (Table 1). OSC SEL has a 10μA internal pull-up.
9	PFI	Power-Fail Input. This is the noninverting input to the power-fail comparator. When PFI is less than 1.25V, $\overline{\text{PFO}}$ goes low. When PFI is not used, connect PFI to GND or V <sub>OUT</sub> .
10	$\overline{\text{PFO}}$	Power-Fail Output. This is the output of the power-fail comparator. $\overline{\text{PFO}}$ goes low when PFI is less than 1.25V. This is an uncommitted comparator, and has no effect on any other internal circuitry.
11	WDI	Watchdog Input. WDI is a three-level input. If WDI remains either high or low for longer than the watchdog time-out period, $\overline{\text{WDO}}$ goes low and reset is asserted for the reset timeout period. $\overline{\text{WDO}}$ remains low until the next transition at WDI. Leaving WDI unconnected disables the watchdog function. WDI connects to an internal voltage divider between V <sub>OUT</sub> and GND, which sets it to mid-supply when left unconnected.
12	$\overline{\text{CE OUT}}$	Chip-Enable Output. $\overline{\text{CE OUT}}$ goes low only when $\overline{\text{CE IN}}$ is low and V <sub>CC</sub> is above the reset threshold. If $\overline{\text{CE IN}}$ is low when reset is asserted, $\overline{\text{CE OUT}}$ will stay low for 15μs or until $\overline{\text{CE IN}}$ goes high, whichever occurs first.
13	$\overline{\text{CE IN}}$	Chip-Enable Input. The input to chip-enable gating circuit. If $\overline{\text{CE IN}}$ is not used, connect $\overline{\text{CE IN}}$ to GND or V <sub>OUT</sub> .
14	$\overline{\text{WDO}}$	Watchdog Output. If WDI remains high or low longer than the watchdog timeout period, $\overline{\text{WDO}}$ goes low and reset is asserted for the reset timeout period. $\overline{\text{WDO}}$ returns high on the next transition at WDI. $\overline{\text{WDO}}$ remains high if WDI is unconnected.
15	$\overline{\text{RESET}}$	$\overline{\text{RESET}}$ Output goes low whenever V <sub>CC</sub> falls below the reset threshold. $\overline{\text{RESET}}$ will remain low typically for 200ms after V <sub>CC</sub> crosses the reset threshold on power-up.
16	RESET	RESET is an active-high output. It is open drain, and the inverse of $\overline{\text{RESET}}$ .

## Detailed Description

### RESET and RESET Outputs

The MAX691A/MAX693A/MAX800L/MAX800M's  $\overline{\text{RESET}}$  and RESET outputs ensure that the μP (with reset inputs asserted either high or low) powers up in a known state, and prevents code-execution errors during power-down or brownout conditions.

The  $\overline{\text{RESET}}$  output is active low, and typically sinks 3.2mA at 0.1V saturation voltage in its active state. When deasserted,  $\overline{\text{RESET}}$  sources 1.6mA at typically V<sub>OUT</sub> - 0.5V. RESET output is open drain, active high, and typically

sinks 3.2mA with a saturation voltage of 0.1V. When no backup battery is used,  $\overline{\text{RESET}}$  output is guaranteed to be valid down to V<sub>CC</sub> = 1V, and an external 10kΩ pulldown resistor on  $\overline{\text{RESET}}$  insures that it will be valid with V<sub>CC</sub> down to GND (Figure 1). As V<sub>CC</sub> goes below 1V, the gate drive to the  $\overline{\text{RESET}}$  output switch reduces accordingly, increasing the R<sub>DS(ON)</sub> and the saturation voltage. The 10kΩ pulldown resistor insures the parallel combination of switch plus resistor is around 10kΩ and the output saturation voltage is below 0.4V while sinking 40μA. When using a 10kΩ external pulldown resistor, the high state for  $\overline{\text{RESET}}$  output with V<sub>CC</sub> = 4.75V will be 4.5V typical.

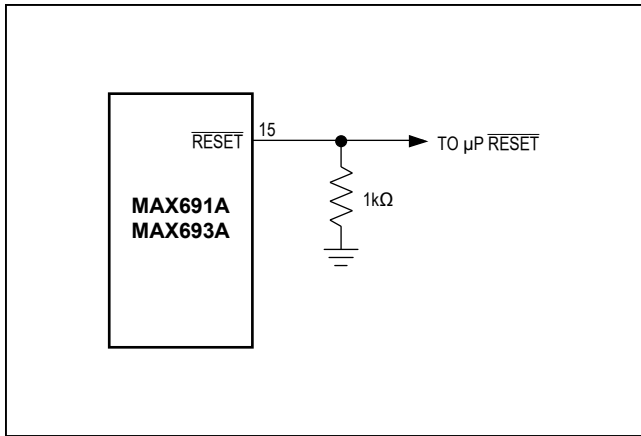


Figure 1. Adding an external pull-down resistor ensures  $\overline{\text{RESET}}$  is valid with  $V_{CC}$  down to GND.

For battery voltages  $\geq 2V$  connected to VBATT,  $\overline{\text{RESET}}$  and  $\overline{\text{RESET}}$  remain valid for  $V_{CC}$  from 0V to 5.5V.

$\overline{\text{RESET}}$  and  $\overline{\text{RESET}}$  are asserted when  $V_{CC}$  falls below the reset threshold (4.65V for the MAX691A/MAX800L, 4.4V for the MAX693A/MAX800M) and remain asserted for 200ms typ after  $V_{CC}$  rises above the reset threshold on power-up (Figure 5). The devices' battery switchover comparator does not affect reset assertion. However, both reset outputs are asserted in battery backup mode since  $V_{CC}$  must be below the reset threshold to enter this mode.

### Watchdog Function

The watchdog monitors  $\mu P$  activity via the Watchdog Input (WDI). If the  $\mu P$  becomes inactive,  $\overline{\text{RESET}}$  and  $\overline{\text{RESET}}$  are asserted. To use the watchdog function, connect WDI to a bus line or  $\mu P$  I/O line. If WDI remains high or low for longer than the watchdog timeout period (1.6s nominal),  $\overline{\text{WDO}}$ ,  $\overline{\text{RESET}}$ , and  $\overline{\text{RESET}}$  are asserted (see  $\overline{\text{RESET}}$  and  $\overline{\text{RESET}}$  Outputs section, and the Watchdog Output discussion on this page).

### Watchdog Input

A change of state (high to low, low to high, or a minimum 100ns pulse) at the WDI during the watchdog period resets the watchdog timer. The watchdog default timeout is 1.6s.

To disable the watchdog function, leave WDI floating. An internal resistor network (100k $\Omega$  equivalent impedance at WDI) biases WDI to approximately 1.6V. Internal comparators detect this level and disable the watchdog timer. When  $V_{CC}$  is below the reset threshold, the watchdog

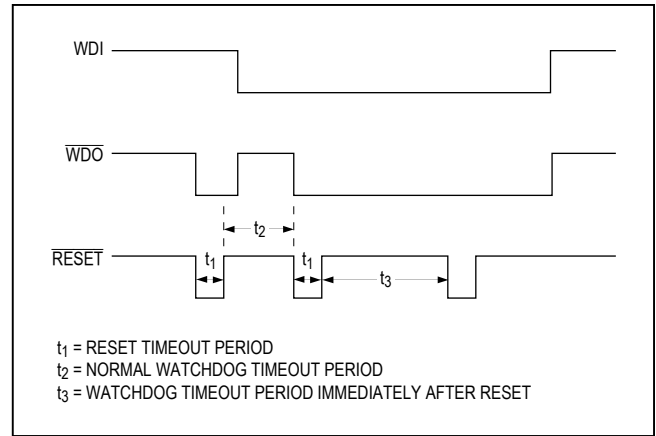


Figure 2. Watchdog Timeout Period and Reset Active Time

function is disabled and WDI is disconnected from its internal resistor network, thus becoming high impedance.

### Watchdog Output

The Watchdog Output ( $\overline{\text{WDO}}$ ) remains high if there is a transition or pulse at WDI during the watchdog timeout period. The watchdog function is disabled and  $\overline{\text{WDO}}$  is a logic high when  $V_{CC}$  is below the reset threshold, battery-backup mode is enabled, or WDI is an open circuit. In watchdog mode, if no transition occurs at WDI during the watchdog timeout period,  $\overline{\text{RESET}}$  and  $\overline{\text{RESET}}$  are asserted for the reset timeout period (200ms typical).  $\overline{\text{WDO}}$  goes low and remains low until the next transition at WDI (Figure 2). If WDI is held high or low indefinitely,  $\overline{\text{RESET}}$  and  $\overline{\text{RESET}}$  will generate 200ms pulses every 1.6s.  $\overline{\text{WDO}}$  has a 2 x TTL output characteristic.

### Selecting an Alternative Watchdog and Reset Timeout Period

The OSC SEL and OSC IN inputs control the watchdog and reset timeout periods. Floating OSC SEL and OSC IN or tying them both to  $V_{OUT}$  selects the nominal 1.6s watchdog timeout period and 200ms reset timeout period. Connecting OSC IN to GND and floating or connecting OSC SEL to  $V_{OUT}$  selects the 100ms normal watchdog timeout delay and 1.6s delay immediately after reset. The reset timeout delay remains 200ms (Figure 2). Select alternative timeout periods by connecting OSC SEL to GND and connecting a capacitor between OSC IN and GND, or by externally driving OSC IN (Table 1 and Figure 3). OSC IN is internally connected to a  $\pm 100nA$  (typ) current source that charges and discharges the timing capacitor to create the oscillator frequency, which sets the reset and watch-



**Table 1. Reset Pulse Width and Watchdog Timeout Selections**

OSC SEL	OSC IN	WATCHDOG TIMEOUT PERIOD		RESET TIMEOUT PERIOD
		NORMAL	IMMEDIATELY AFTER RESET	
Low	External Clock Input	1024 clks	4096 clks	2048 clks
Low	External Capacitor	(600/47pF x C)ms	(2.4/47pF x C)sec	(1200/47pF x C)ms
Floating	Low	100ms	1.6s	200ms
Floating	Floating	1.6s	1.6s	200ms

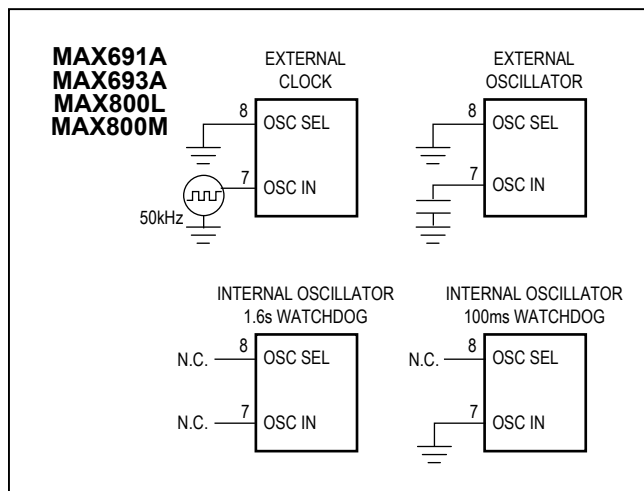


Figure 3. Oscillator Circuits

dog timeout periods (see Connecting a Timing Capacitor at OSC IN in the Applications Information section).

### Chip-Enable Signal Gating

The MAX691A/MAX693A/MAX800L/MAX800M provide internal gating of chip-enable (CE) signals to prevent erroneous data from being written to CMOS RAM in the event of a power failure. During normal operation, the CE gate is enabled and passes all CE transitions. When reset is asserted, this path becomes disabled, preventing erroneous data from corrupting the CMOS RAM. All these parts use a series transmission gate from  $\overline{CE}$  IN to  $\overline{CE}$  OUT (Figure 4).

The 10ns max CE propagation delay from  $\overline{CE}$  IN to  $\overline{CE}$  OUT enables the parts to be used with most  $\mu$ Ps.

### Chip-Enable Input

The Chip-Enable Input ( $\overline{CE}$  IN) is high impedance (disabled mode) while RESET and  $\overline{RESET}$  are asserted.

During a power-down sequence where  $V_{CC}$  falls below the reset threshold or a watchdog fault,  $\overline{CE}$  IN assumes a high-impedance state when the voltage at  $\overline{CE}$  IN goes

high or 15 $\mu$ s after reset is asserted, whichever occurs first (Figure 5).

During a power-up sequence,  $\overline{CE}$  IN remains high impedance, regardless of  $\overline{CE}$  IN activity, until reset is deasserted following the reset timeout period.

In the high-impedance mode, the leakage currents into this terminal are  $\pm 1\mu$ A max over temperature. In the low-impedance mode, the impedance of  $\overline{CE}$  IN appears as a 75 $\Omega$  resistor in series with the load at  $\overline{CE}$  OUT.

The propagation delay through the CE transmission gate depends on both the source impedance of the drive to  $\overline{CE}$  IN and the capacitive loading on the Chip-Enable Output (CE OUT) (see Chip-Enable Propagation Delay vs.  $\overline{CE}$  OUT Load Capacitance in the *Typical Operating Characteristics*). The CE propagation delay is production tested from the 50% point of  $\overline{CE}$  IN to the 50% point of  $\overline{CE}$  OUT using a 50 $\Omega$  driver and 50pF of load capacitance (Figure 6). For minimum propagation delay, minimize the capacitive load at  $\overline{CE}$  OUT, and use a low output-impedance driver.

### Chip-Enable Output

In the enabled mode, the impedance of  $\overline{CE}$  OUT is equivalent to 75 $\Omega$  in series with the source driving  $\overline{CE}$  IN. In the disabled mode, the 75 $\Omega$  transmission gate is off and  $\overline{CE}$  OUT is actively pulled to  $V_{OUT}$ . This source turns off when the transmission gate is enabled.

### LOW LINE Output

$\overline{LOW LINE}$  is the buffered output of the reset threshold comparator.  $\overline{LOW LINE}$  typically sinks 3.2mA at 0.1V. For normal operation ( $V_{CC}$  above the  $\overline{LOW LINE}$  threshold),  $\overline{LOW LINE}$  is pulled to  $V_{OUT}$ .

### Power-Fail Comparator

The power-fail comparator is an uncommitted comparator that has no effect on the other functions of the IC. Common uses include low-battery indication (Figure 7), and early power-fail warning (see *Typical Operating Circuit*).

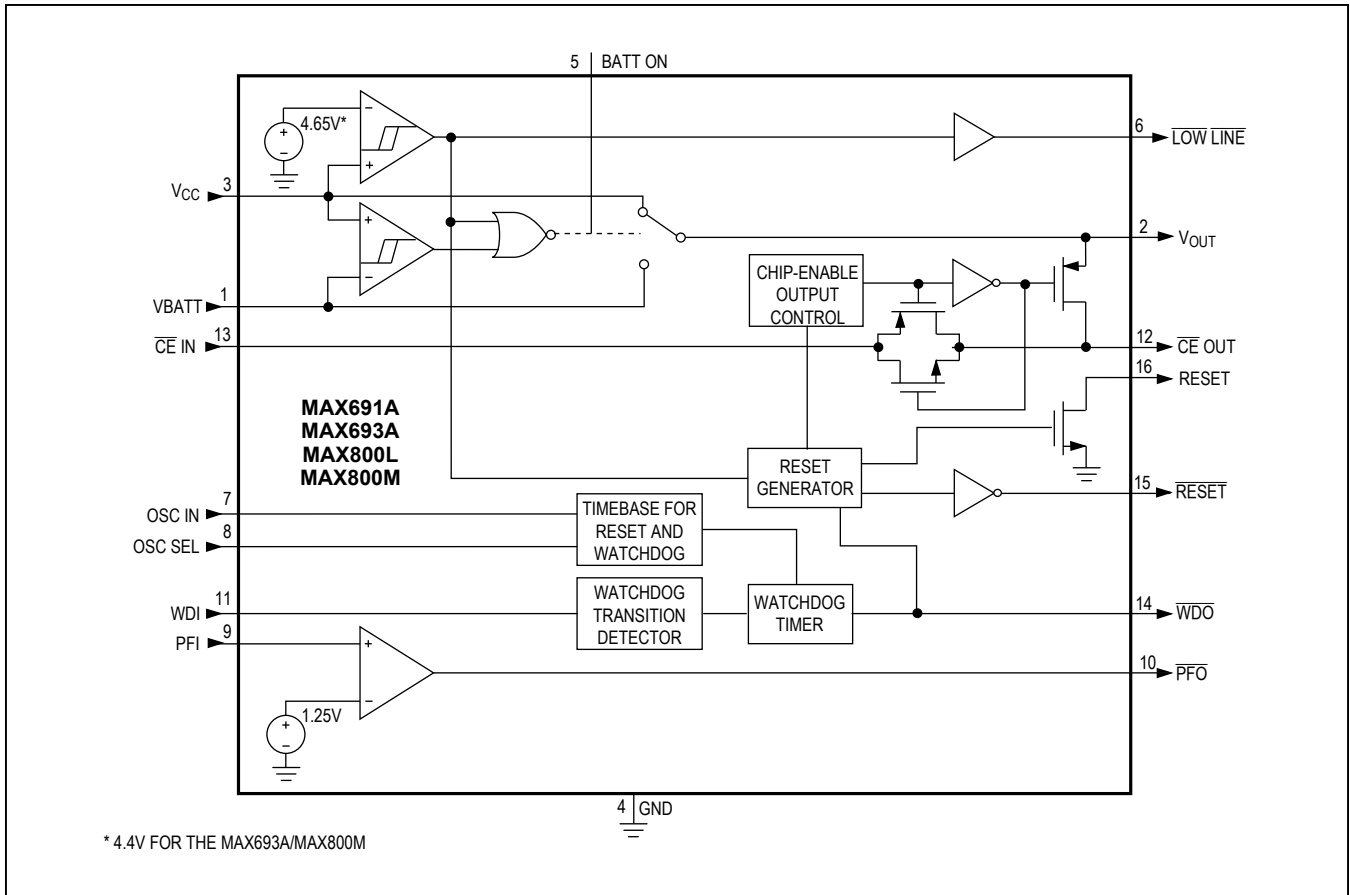


Figure 4. MAX691A/MAX693A/MAX800L/MAX800M Block Diagram

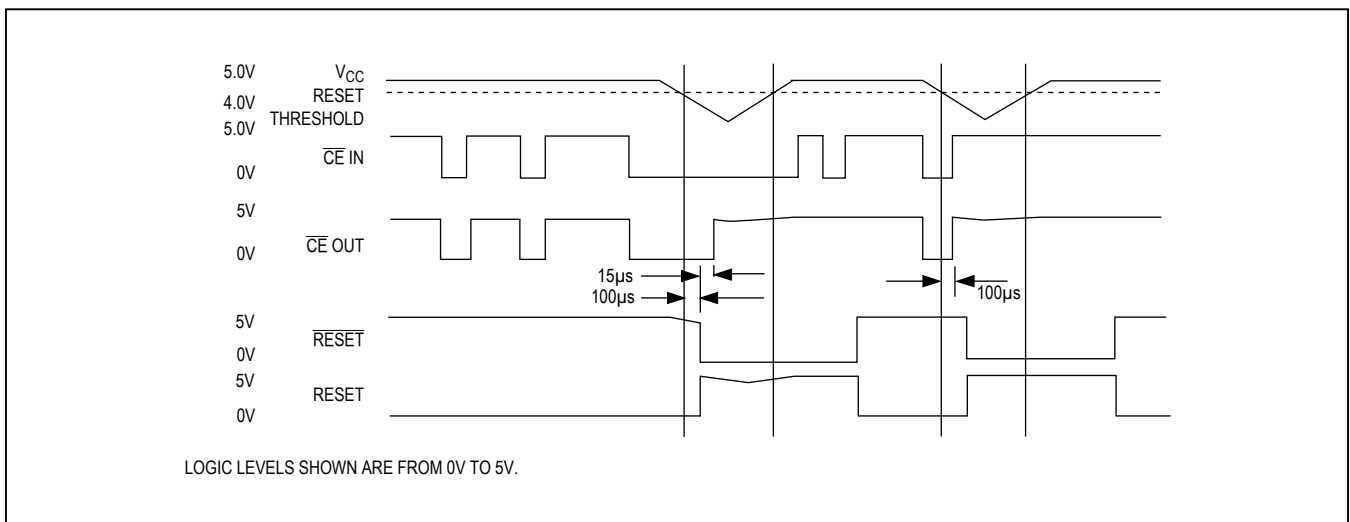


Figure 5. Reset and Chip-Enable Timing

# MAX691A/MAX693A/ MAX800L/MAX800M

## Microprocessor Supervisory Circuits

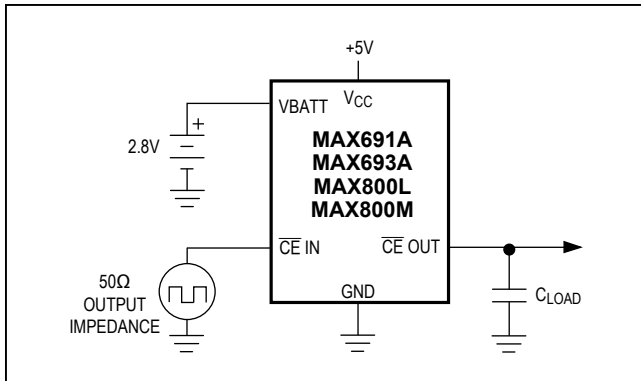


Figure 6. CE Propagation Delay Test Circuit

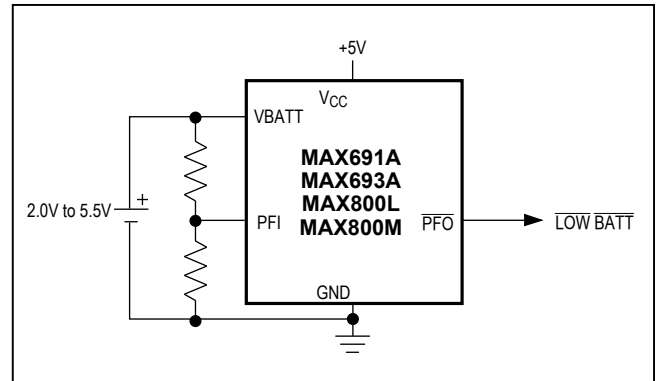


Figure 7. Low-Battery Indicator

**Table 2. Input and Output Status in Battery-Backup Mode**

PIN	NAME	STATUS
1	VBATT	Supply current is 1μA max.
2	V <sub>OUT</sub>	V <sub>OUT</sub> is connected to VBATT through an internal PMOS switch.
3	V <sub>CC</sub>	Battery switchover comparator monitors V <sub>CC</sub> for active switchover.
4	GND	GND 0V, 0V reference for all signals.
5	BATT ON	Logic high. The open-circuit output is equal to V <sub>OUT</sub> .
6	LOWLINE	Logic low*
7	OSC IN	OSC IN is ignored.
8	OSC SEL	OSC SEL is ignored.
9	PFI	The power-fail comparator remains active in the battery-backup mode for V <sub>CC</sub> ≥ VBATT - 1.2V typ.
10	PFO	The power-fail comparator remains active in the battery-backup mode for V <sub>CC</sub> ≥ VBATT - 1.2V typ. Below this volt- age, PFO is forced low.
11	WDI	Watchdog is ignored.
12	CE OUT	Logic high. The open-circuit voltage is equal to V <sub>OUT</sub> .
13	CE IN	High impedance
14	WDO	Logic high. The open-circuit voltage is equal to V <sub>OUT</sub> .
15	RESET	Logic low*
16	RESET	High impedance*

\*V<sub>CC</sub> must be below the reset threshold to enter battery-back-up mode.

### Power-Fail Input

Power-Fail Input (PFI) is the input to the power-fail comparator. It has a guaranteed input leakage of ±25nA max over temperature. The typical comparator delay is 25μs from V<sub>IL</sub> to V<sub>OL</sub> (power failing), and 60μs from V<sub>IH</sub> to V<sub>OH</sub> (power being restored). If PFI is not used, connect it to ground.

### Power-Fail Output

The Power-Fail Output (PFO) goes low when PFI goes below 1.25V. It typically sinks 3.2mA with a saturation voltage of 0.1V. With PFI above 1.25V, PFO is actively pulled to V<sub>OUT</sub>.

### Battery-Backup Mode

Two conditions are required to switch to battery-backup mode: 1) V<sub>CC</sub> must be below the reset threshold, and 2) V<sub>CC</sub> must be below VBATT. Table 2 lists the status of the inputs and outputs in battery-backup mode.

### Battery-On Output

The Battery-On (BATT ON) output indicates the status of the internal V<sub>CC</sub>/battery-switchover comparator, which controls the internal V<sub>CC</sub> and VBATT switches. For V<sub>CC</sub> greater than VBATT (ignoring the small hysteresis effect), BATT ON typically sinks 3.2mA at 0.1V saturation voltage. In battery-backup mode, this terminal sources approximately 10μA from V<sub>OUT</sub>. Use BATT ON to indicate battery-switchover status or to supply base drive to an external pass transistor for higher-current applications (see Typical Operating Circuit).

### Input Supply Voltage

The Input Supply Voltage (V<sub>CC</sub>) should be a regulated 5V. V<sub>CC</sub> connects to V<sub>OUT</sub> via a parallel diode and a large PMOS switch. The switch carries the entire cur-rent

# MAX691A/MAX693A/ MAX800L/MAX800M

# Microprocessor Supervisory Circuits

load for currents less than 250mA. The parallel diode carries any current in excess of 250mA. Both the switch and the diode have impedances less than 1Ω each. The maximum continuous current is 250mA, but power-on transients may reach a maximum of 1A.

## Battery-Backup Input

The Battery-Backup Input (VBATT) is similar to the V<sub>CC</sub> input except the PMOS switch and parallel diode are much smaller. Accordingly, the on-resistances of the diode and the switch are each approximately 10Ω. Continuous current should be limited to 25mA and peak currents (only during power-up) limited to 250mA. The reverse leakage of this input is less than 1μA over temperature and supply voltage (Figure 8).

## Output Supply Voltage

The Output Supply Voltage (V<sub>OUT</sub>) pin is internally connected to the substrate of the IC and supplies current to the external system and internal circuitry. All opencircuit outputs will, for example, assume the V<sub>OUT</sub> voltage in their high states rather than the V<sub>CC</sub> voltage. At the maximum source current of 250mA, V<sub>OUT</sub> will typically be 200mV below V<sub>CC</sub>. Decouple this terminal with a 0.1μF capacitor.

## Applications Information

The MAX691A/MAX693A/MAX800L/MAX800M are not short-circuit protected. Shorting V<sub>OUT</sub> to ground, other than power-up transients such as charging a decoupling capacitor, destroys the device.

All open-circuit outputs swing between V<sub>OUT</sub> and GND rather than V<sub>CC</sub> and GND.

If long leads connect to the chip inputs, insure that these leads are free from ringing and other conditions that would forward bias the chip's protection diodes.

There are three distinct modes of operation:

- 1) Normal operating mode with all circuitry powered up. Typical supply current from V<sub>CC</sub> is 35μA while only leakage currents flow from the battery.
- 2) Battery-backup mode where V<sub>CC</sub> is typically within 0.7V below VBATT. All circuitry is powered up and the supply current from the battery is typically less than 60μA.
- 3) Battery-backup mode where V<sub>CC</sub> is less than VBATT by at least 0.7V. VBATT supply current is 1μA max.

## Using SuperCap or MaxCap with the MAX691A/MAX693A/MAX800L/MAX800M

VBATT has the same operating voltage range as V<sub>CC</sub>, and the battery switchover threshold voltages are typically ±30mV centered at VBATT, allowing use of a SuperCap and a simple charging circuit as a backup source (Figure 9).

If V<sub>CC</sub> is above the reset threshold and VBATT is 0.5V above V<sub>CC</sub>, current flows to V<sub>OUT</sub> and V<sub>CC</sub> from VBATT until the voltage at VBATT is less than 0.5V above V<sub>CC</sub>. For example, with a SuperCap connected to VBATT and through a diode to V<sub>CC</sub>, if V<sub>CC</sub> quickly changes from 5.4V to 4.9V, the capacitor discharges through V<sub>OUT</sub> and V<sub>CC</sub> until VBATT reaches 5.1V typ. Leakage current through the SuperCap charging diode and the internal power diode eventually discharges the SuperCap to V<sub>CC</sub>. Also, if V<sub>CC</sub> and VBATT start from 0.1V above the reset thresh-

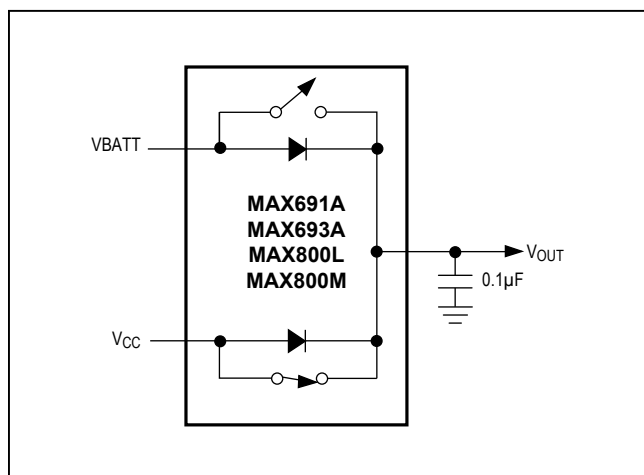


Figure 8. V<sub>CC</sub> and VBATT to V<sub>OUT</sub> Switch

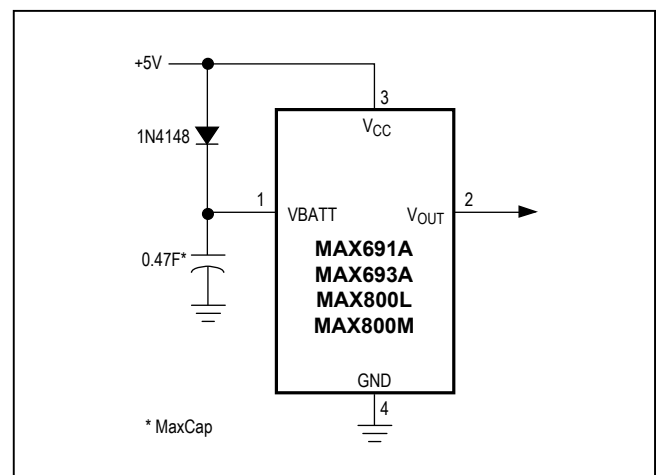


Figure 9. SuperCap or MaxCap on VBATT

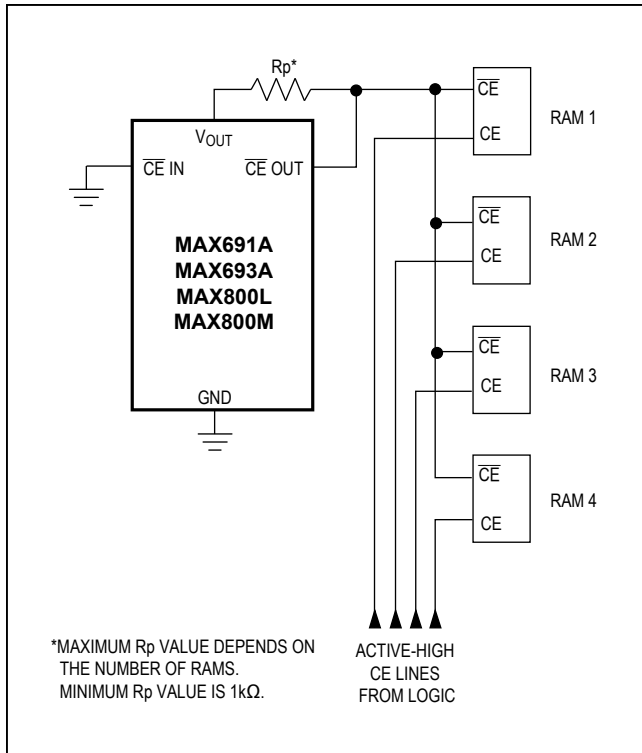


Figure 10. Alternate CE Gating

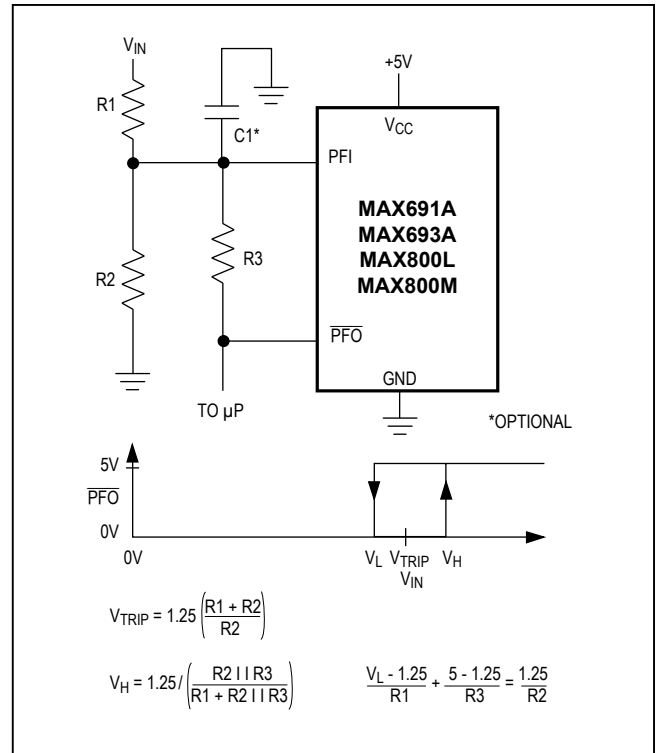


Figure 11. Adding Hysteresis to the Power-Fail Comparator

old and power is lost at  $V_{CC}$ , the SuperCap on VBATT discharges through  $V_{CC}$  until VBATT reaches the reset threshold; then the battery-backup mode is initiated and the current through  $V_{CC}$  goes to zero.

### Using Separate Power Supplies for VBATT and $V_{CC}$

If using separate power supplies for  $V_{CC}$  and VBATT, VBATT must be less than 0.3V above  $V_{CC}$  when  $V_{CC}$  is above the reset threshold. As described in the previous section, if VBATT exceeds this limit and power is lost at  $V_{CC}$ , current flows continuously from VBATT to  $V_{CC}$  via the VBATT-to- $V_{OUT}$  diode and the  $V_{OUT}$ -to- $V_{CC}$  switch until the circuit is broken (Figure 8).

### Alternate Chip-Enable Gating

Using memory devices with both CE and  $\overline{CE}$  inputs allows the CE loop to be bypassed. To do this, connect  $\overline{CE}$  IN to ground, pull up CE OUT to  $V_{OUT}$ , and connect CE OUT to the  $\overline{CE}$  input of each memory device (Figure 10). The CE input of each part then connects directly to the chip-select, which does not have to be gated.

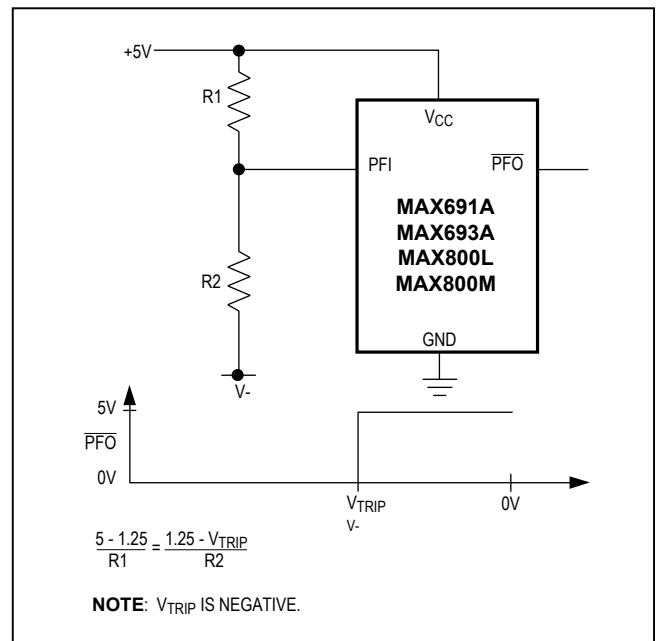


Figure 12. Monitoring a Negative Voltage

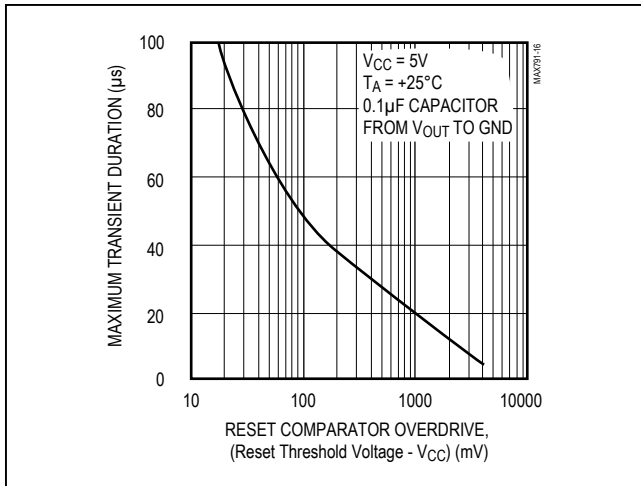


Figure 13. Maximum Transient Duration without Causing a Reset Pulse vs. Reset Comparator Overdrive

### Adding Hysteresis to the Power-Fail Comparator

Hysteresis adds a noise margin to the power-fail comparator and prevents repeated triggering of  $\overline{\text{PFO}}$  when  $V_{\text{IN}}$  is near the power-fail comparator trip point. Figure 11 shows how to add hysteresis to the power-fail comparator. Select the ratio of R1 and R2 such that PFI sees 1.25V when  $V_{\text{IN}}$  falls to the desired trip point ( $V_{\text{TRIP}}$ ). Resistor R3 adds hysteresis. It will typically be an order of magnitude greater than R1 or R2. The current through R1 and R2 should be at least 1µA to ensure that the 25nA (max) PFI input current does not shift the trip point. R3 should be larger than 10kΩ to prevent it from loading down the  $\overline{\text{PFO}}$  pin. Capacitor C1 adds noise rejection.

### Monitoring a Negative Voltage

The power-fail comparator can be used to monitor a negative supply voltage using Figure 12's circuit. When the negative supply is valid,  $\overline{\text{PFO}}$  is low. When the negative supply voltage drops,  $\overline{\text{PFO}}$  goes high. This circuit's

accuracy is affected by the PFI threshold tolerance, the  $V_{\text{CC}}$  voltage, and resistors R1 and R2.

### Backup-Battery Replacement

The backup battery may be disconnected while  $V_{\text{CC}}$  is above the reset threshold. No precautions are necessary to avoid spurious reset pulses.

### Negative-Going $V_{\text{CC}}$ Transients

While issuing resets to the µP during power-up, power-down, and brownout conditions, these supervisors are relatively immune to short-duration, negative-going  $V_{\text{CC}}$  transients (glitches). It is usually undesirable to reset the µP when  $V_{\text{CC}}$  experiences only small glitches.

Figure 13 shows maximum transient duration vs. reset-comparator overdrive, for which reset pulses are **not** generated. The graph was produced using negative-going  $V_{\text{CC}}$  pulses, starting at 5V and ending below the reset threshold by the magnitude indicated (reset comparator overdrive). The graph shows the maximum pulse width a negative-going  $V_{\text{CC}}$  transient may typically have without causing a reset pulse to be issued. As the amplitude of the transient increases (i.e., goes farther below the reset threshold), the maximum allowable pulse width decreases. Typically, a  $V_{\text{CC}}$  transient that goes 100mV below the reset threshold and lasts for 40µs or less will not cause a reset pulse to be issued.

A 100nF bypass capacitor mounted close to the  $V_{\text{CC}}$  pin provides additional transient immunity.

### Connecting a Timing Capacitor at OSC IN

When OSC SEL is connected to ground, OSC IN disconnects from its internal 10µA (typ) pullup and is internally connected to a ±100nA current source. When a capacitor is connected from OSC IN to ground (to select alternative reset and watchdog timeout periods), the current source charges and discharges the timing capacitor to create the oscillator that controls the reset and watchdog timeout period. To prevent timing errors or oscillator startup prob-

lems, minimize external current leakage sources at this pin, and locate the capacitor as close to OSC IN as possible. The sum of PC-board leakage plus OSC capacitor leakage must be small compared to  $\pm 100\text{nA}$ .

### Maximum $V_{CC}$ Fall Time

The  $V_{CC}$  fall time is limited by the propagation delay of the battery switchover comparator and should not exceed  $0.03\text{V}/\mu\text{s}$ . A standard rule of thumb for filter capacitance on most regulators is on the order of  $100\mu\text{F}$  per amp of current. When the power supply is shut off or the main battery is disconnected, the associated initial  $V_{CC}$  fall rate is just the inverse or  $1\text{A}/100\mu\text{F} = 0.01\text{V}/\mu\text{s}$ . The  $V_{CC}$  fall rate decreases with time as  $V_{CC}$  falls exponentially, which more than satisfies the maximum fall-time requirement.

### Watchdog Software Considerations

A way to help the watchdog timer keep a closer watch on software execution involves setting and resetting the watchdog input at different points in the program, rather than “pulsing” the watchdog input high-low-high or low-high-low. This technique avoids a “stuck” loop where the watchdog timer continues to be reset within the loop, keeping the watchdog from timing out. Figure 14 shows an example flow diagram where the I/O driving the watchdog input is set high at the beginning of the program, set low at the beginning of every subroutine or loop, then set high again when the program returns to the beginning. If the program should “hang” in any subroutine, the I/O is continually set low and the watchdog timer is allowed to time out, causing a reset or interrupt to be issued.

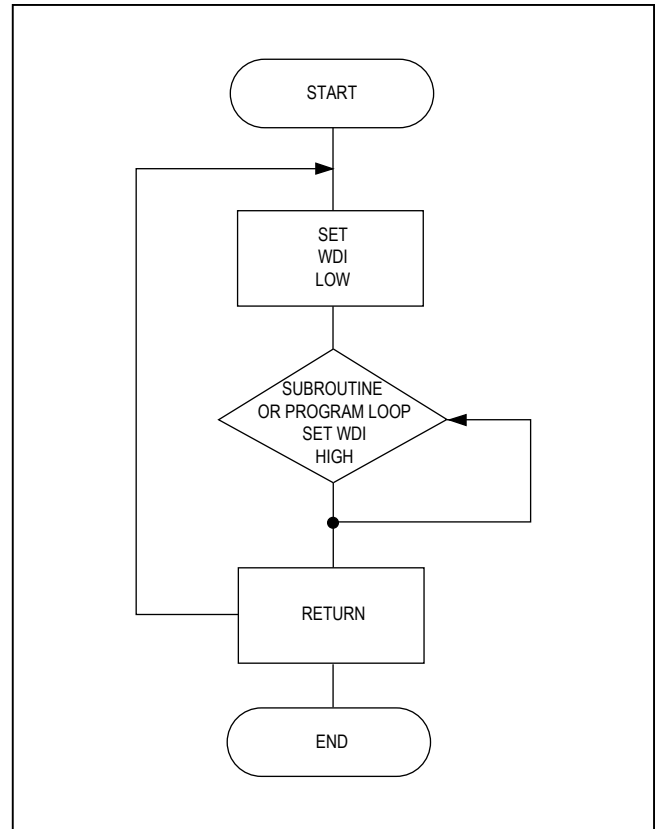


Figure 14. Watchdog Flow Diagram

Ordering Information (continued)

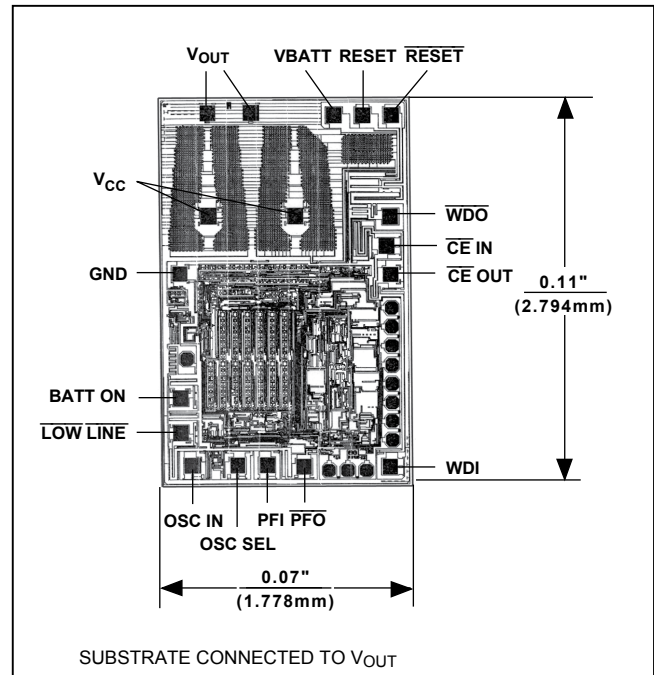
PART	TEMP RANGE	PIN-PACKAGE
MAX691AEJE	-40°C to +85°C	16 Cerdip
MAX691AMJE	-55°C to +125°C	16 Cerdip**
MAX691AMSE/PR	-55°C to +125°C	16 Narrow SO**
MAX691AMSE/PR-T	-55°C to +125°C	16 Narrow SO**
<b>MAX693ACUE</b>	-0°C to +70°C	16 TSSOP
MAX693ACSE	-0°C to +70°C	16 Narrow SO
MAX693ACWE	-0°C to +70°C	16 Wide SO
MAX693ACPE	-0°C to +70°C	16 Plastic DIP
MAX693AC/D	-0°C to +70°C	Dice*
MAX693AEUE	-40°C to +85°C	16 TSSOP
MAX693AESE	-40°C to +85°C	16 Narrow SO
MAX693AEWE	-40°C to +85°C	16 Wide SO
MAX693AEPE	-40°C to +85°C	16 Plastic DIP
MAX693AEJE	-40°C to +85°C	16 Cerdip
MAX693AMJE	-55°C to +125°C	16 Cerdip
<b>MAX800LCUE</b>	-0°C to +70°C	16 TSSOP
MAX800LCSE	-0°C to +70°C	16 Narrow SO
MAX800LCPE	-0°C to +70°C	16 Plastic DIP
MAX800LEUE	-40°C to +85°C	16 TSSOP
MAX800LESE	-40°C to +85°C	16 Narrow SO
MAX800LEPE	-40°C to +85°C	16 Plastic DIP
<b>MAX800MCUE</b>	-0°C to +70°C	16 TSSOP
MAX800MCSE	-0°C to +70°C	16 Narrow SO
MAX800MCPE	-0°C to +70°C	16 Plastic DIP
MAX800MEUE	-40°C to +85°C	16 TSSOP
MAX800MESE	-40°C to +85°C	16 Narrow SO
MAX800MEPE	-40°C to +85°C	16 Plastic DIP

\*Dice are specified at  $T_A = +25^\circ\text{C}$ , DC parameters only.

\*\*Contact factory for availability and processing to MIL-STD-883B.

Devices in PDIP, SO and TSSOP packages are available in both leaded and lead-free packaging. Specify lead free by adding the + symbol at the end of the part number when ordering. Lead free not available for Cerdip package.

Chip Topography



Package Information

For the latest package outline information and land patterns (footprints), go to [www.maximintegrated.com/packages](http://www.maximintegrated.com/packages). Note that a "+", "#", or "." in the package code indicates RoHS status only. Package drawings may show a different suffix character, but the drawing pertains to the package regardless of RoHS status.

PACKAGE TYPE	PKG CODE	OUTLINE NO.	LAND PATTERN NO.
16 TSSOP	U16-1	<a href="#">21-0066</a>	<a href="#">90-0117</a>
16 Cerdip	J16-3	<a href="#">21-0045</a>	—
16 Narrow SO	S16-3	<a href="#">21-0041</a>	<a href="#">90-0097</a>
16 Plastic DIP	P16-1	<a href="#">21-0043</a>	—
16 Wide SO	W16-1	<a href="#">21-0042</a>	<a href="#">90-0107</a>



## Revision History

REVISION NUMBER	REVISION DATE	DESCRIPTION	PAGES CHANGED
0	09/92	Initial release	—
1	12/92	Update <i>Electrical Characteristics</i> table.	2, 3, 4
2	5/93	Update <i>Electrical Characteristics</i> table, Tables 1 and 2.	2, 3, 4, 9, 11
3	12/93	Update <i>Electrical Characteristics</i> table.	2, 3, 4
4	3/94	Update <i>Electrical Characteristics</i> table.	2, 3, 4
5	8/94	Correction to Figure 4.	10
6	1/95	Update to new revision and correct errors.	—
7	12/96	Update <i>Electrical Characteristics</i> table.	2, 3, 4
8	12/99	Updated <i>Ordering Information</i> , <i>Pin Configuration</i> , <i>Absolute Maximum Ratings</i> , and <i>Package Information</i> .	1, 2, 16
9	4/02	Corrected <i>Ordering Information</i> .	1
10	11/05	Added lead-free information.	1, 16
11	8/08	Updated <i>Ordering Information</i> .	1, 16
12	9/14	No /V OPNs; removed automotive reference from <i>Applications</i> section; updated <i>Package Information</i> table	1, 16
13	11/17	Updated <i>Electrical Characteristics</i> table	2
14	4/18	Updated <i>Ordering Information</i> table	16

For pricing, delivery, and ordering information, please contact Maxim Direct at 1-888-629-4642, or visit Maxim Integrated's website at [www.maximintegrated.com](http://www.maximintegrated.com).

Maxim Integrated cannot assume responsibility for use of any circuitry other than circuitry entirely embodied in a Maxim Integrated product. No circuit patent licenses are implied. Maxim Integrated reserves the right to change the circuitry and specifications without notice at any time. The parametric values (min and max limits) shown in the *Electrical Characteristics* table are guaranteed. Other parametric values quoted in this data sheet are provided for guidance.

# Mouser Electronics

Authorized Distributor

Click to View Pricing, Inventory, Delivery & Lifecycle Information:

## Maxim Integrated:

[MAX691ACPE+](#) [MAX691ACSE+](#) [MAX691ACWE+](#) [MAX691AEPE+](#) [MAX691AESE+](#) [MAX691AEWE+](#)  
[MAX693ACPE+](#) [MAX693ACSE+](#) [MAX693AEPE+](#) [MAX800LCPE+](#) [MAX800LCSE+](#) [MAX800LCSE+T](#)  
[MAX800LCUE+](#) [MAX800LCUE+T](#) [MAX800LEUE+](#) [MAX800LEUE+T](#) [MAX800MCPE+](#) [MAX800MCSE+](#)  
[MAX800MCSE+T](#) [MAX800MCUE+](#) [MAX800MCUE+T](#) [MAX800MEUE+](#) [MAX800MEUE+T](#) [MAX691ACSE+T](#)  
[MAX691ACUE+](#) [MAX691ACUE+T](#) [MAX691ACWE+T](#) [MAX691AESE+T](#) [MAX691AEUE+](#) [MAX691AEUE+T](#)  
[MAX691AEWE+T](#) [MAX693ACSE+T](#) [MAX693ACUE+](#) [MAX693ACUE+T](#) [MAX693ACWE+](#) [MAX693ACWE+T](#)  
[MAX693AESE+](#) [MAX693AESE+T](#) [MAX693AEUE+](#) [MAX693AEUE+T](#) [MAX693AEWE+](#) [MAX693AEWE+T](#)  
[MAX693AMJE](#) [MAX691AMSE/PR-T](#) [MAX691AMSE/PR](#) [MAX691AEJE](#) [MAX800LESE+](#) [MAX691AMJE/883B](#)  
[MAX693ACUE](#) [MAX800LESE](#) [MAX691ACUE](#)