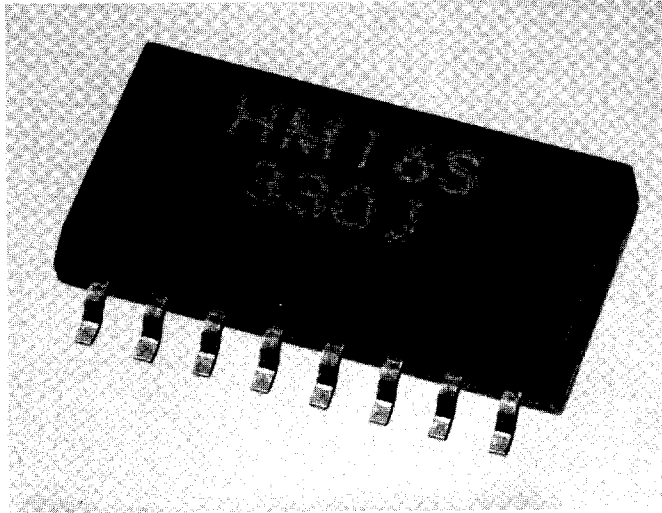


SOP THICK FILM RESISTOR NETWORK

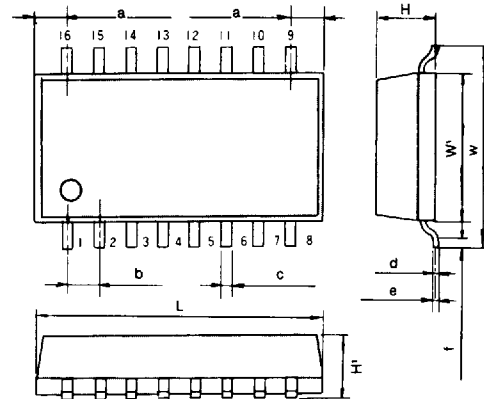
K O A SPEER ELECTRONICS 56 E D ■ 5046087 0000993 442 ■ KOAS



SOP THICK FILM RESISTOR NETWORK

- .050" (1.27mm) Lead Space
- UL94V - 0 Molded Epoxy Case
- Operating Voltage Up To 50V
- .087" (2.2mm) Maximum Seated Height
- Available Tape/Reel & Magazine Packaging

DIMENSIONS



L	H ¹	H	W ¹	w
0.433 ± 0.012	0.087 max.	0.079 max.	0.224 max.	0.303 ± 0.012
11.0 ± 0.3	2.2 max.	2.0 max.	5.7 max.	7.7 ± 0.3

a	b	c	d	e	f
0.049 max.	0.050 ± 0.005	0.016 ± 0.002	0.004 min.	0.006 ± 0.002	0.012 ± 0.002
1.25 max.	1.27 ± 0.12	0.40 ± 0.05	0.10 min.	0.15 ± 0.05	0.30 ± 0.05

• CONTROLLING DIMENSION IN MILLIMETERS

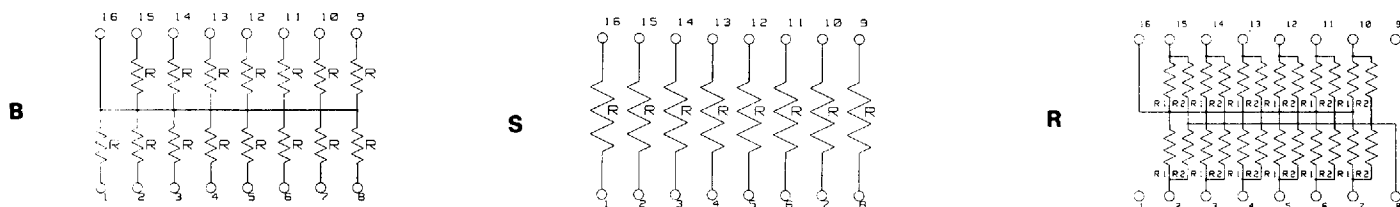
STANDARD APPLICATIONS

PART DESIGNATION	CIRCUIT	POWER RATING @ 70°C	TCR ppm/°C MAX	RESISTANCE RANGE E-24	RESISTANCE TOLERANCE VOLTAGE	MAXIMUM WORKING RANGE	OPERATING TEMPERATURE
HM16	B	80mW/element 1.2W/package	±200	100Ω - 2.2MΩ	G(±2%) J(±5%)	50V	-55°C +125°C
HM16	S	160mW/element 1.28W/package					
HM16	R	50mW/element 1.2W/package	±250	100Ω - 100KΩ 22Ω - 91Ω	J(±5%)		
HM16	B	80mW/element 1.2W/package					
HM16	S	160mW/element 1.28W/package					

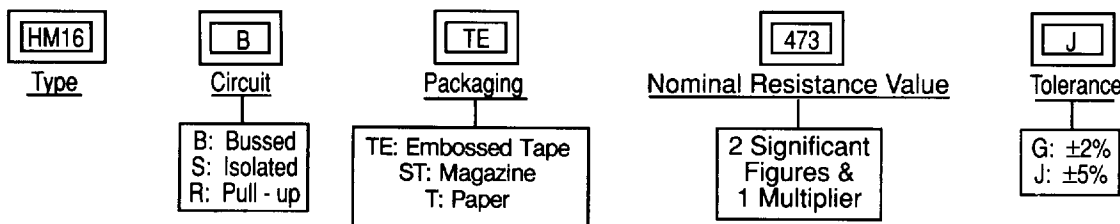
SOP THICK FILM RESISTOR NETWORK

K O A SPEER ELECTRONICS 56 E D ■ 5046087 0000994 389 ■ KOAS

CIRCUIT CONFIGURATIONS



ORDERING & SPECIFYING INFORMATION



ENVIRONMENTAL SPECIFICATIONS

PARAMETER	MAXIMUM Δ R	TEST METHOD
Short - Time Overload	± (0.5% + 0.05Ω)	MIL - R - 83401 B, π 3, 14 2.5 x RCWV, 5 seconds
Thermal Shock	± (0.5% + 0.05Ω)	MIL - STD - 202F, method 107D -55°C ~ + 125°C, 5 cycles
Resistance to Soldering Heat	± (0.5% + 0.05Ω)	MIL - STD - 202F, method 210A condition B
Terminal Strength - Pull/Bend	± (0.5% + 0.05Ω)	MIL - STD - 202F, method 211A condition A/B
Load Life	± 1.0%	MIL - STD - 202F, method 108A 70°C, RCWV 1 1/2 hour ON, 1/2 hour OFF; 1000 Hours
Elevated Temperature Life	± 3.0%	1000 hours at 125°C
Moisture Resistance	± 1.0%	MIL - STD - 202F, method 103B 40°C / 95% RH, RCWV; 1000 hours
LIMITS		
Lead Solderability	95% Minimum	MIL - STD - 202F, method 208D
Insulation Resistance	10,000 Meg ohm, minimum	MIL - STD - 202F, method 302
Dielectric Withstanding Voltage	500 Volts / 1 minute, minimum	MIL - STD - 202F, method 301