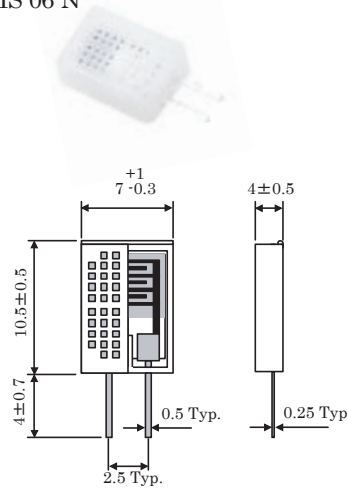




# Relative Humidity Sensor

## 【Humidity Sensors】

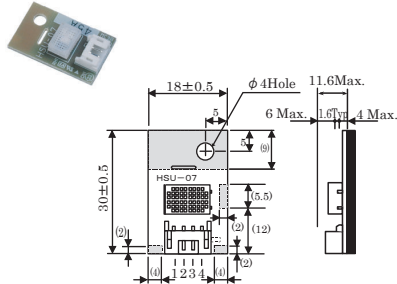
Model No. HIS-06-N



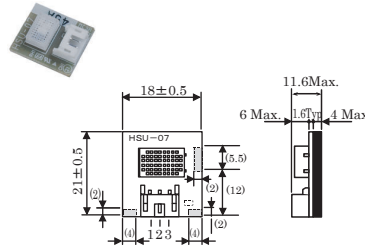
Item		HIS-06-N
Absolute Maximum Ratings	Rated Voltage	AC 5.5V Max.
	Rated Wattage	1.0mW
	Storage Temperature Range	-25°C~70°C
	Storage Humidity Range	0%RH~90%RH
Operating Conditions	Operating Temperature Range	-20°C~60°C
	Operating Humidity Range	0%RH~90%RH
Electrical Performances	Output	45.8k Ω (at: 25°C/50%RH)
	Output Accuracy	±5%RH(at: 25°C/50%RH)
	Hysteresis	±1%RH(at: 30%RH~90%RH)
	Response	3.5minutes (Typ.) (at: 30%RH⇄90%RH, 90% Reach, 1.2cm/sec.)

## 【Humidity Sensor Modules】

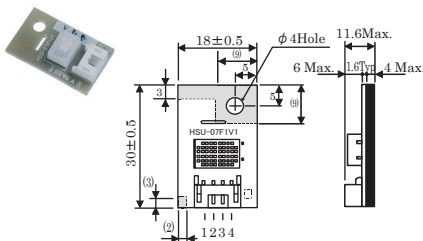
Model No. HSU-07A1-N/A2-N



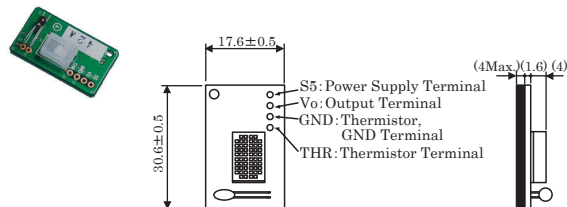
Model No. HSU-07B1-N/B2-N



Model No. HSU-07F1V1-N/F1V2-N



Model No. HSU-07D-N



Item		HSU-07A1-N/A2-N	HSU-07B1-N/B2-N	HSU-07F1V1-N	HSU-07F1V2-N	HSU-07D-N
Absolute Maximum Ratings	Rated Voltage	DC 5.0V (4.75V~5.25V)			DC3.3V (3.135V~3.465V)	DC 5.0V (4.75V~5.25V)
	Storage Temperature Range	-25°C~70°C				
	Storage Humidity Range	0%RH~90%RH				
Operating Conditions	Operating Temperature Range	-20°C~60°C				
	Operating Humidity Range	20%RH~90%RH		10%RH~90%RH		
Electrical Performances	Output Accuracy	±5%RH at 25°C: 40%RH/60%RH				
	Current Consumption	1.3mA Typ.			2mA Typ.	
	Hysteresis	±1%RH(at: 30%RH~90%RH)				
	Thermistor Characteristics	R25=50k Ω ± 5%, B25/50=4000K ± 200K				R25=1.7k Ω ± 2%, B25/50=3900K ± 195K
Response		3.5 minutes(Typ.) (at: 30%RH⇄90%RH, 90% Reach, 1.2cm/sec.)				