

GDS Series, Low Profile, THT & SMT

Features

- Bifurcated gold wiping contact system (gold to gold contact system)
- Low profile
- End stackable
- Tape seal standard with corner notch
- Vacuum pick and place compatible
- Auto insertable
- Available in pc and surface mount configuration
- Shipped in the OFF position, ON position on request



Typical performance characteristics

Contact configuration	SPST
Contact rating, non-switching	100 mA @ 50 VDC
Contact rating, switching	25mA A @ 24 VDC
Electrical life	1,000 cycles
Mechanical life	1,000 cycles
Contact resistance	max 100 mOhm
Insulation resistance	min 100 MOhm
Dielectric strength	300 VAC for 1 min
Actuation force	0.6 to 6 N (60 to 600 gf)
Actuator travel	1.00 mm (.039) average

Environmental specification

Operating temperature	-45 to +100°C
Storage temperature	-45 to +100°C
Solder heat resistance	265°C/10s wave or 260°C/10s reflow

Material specifications

Contacts	copper alloy gold finish
Actuator	lcp
Terminals	copper alloy gold finish
Base	pps
Cover	pps
Tape seal	polyimide film
RoHS Directive 2002/95/EC	compliant

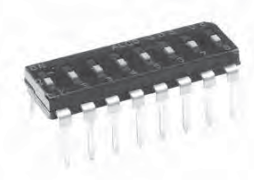
Product key		Typical product key		GDS		04		S		TR		04	
Type		GDS Low profile DIP switch											
Positions		02 2 positions		08 8 positions		04 4 positions		10 10 positions					
Terminal		blank through hole - THT											
		S surface mount - SMT											
Sealing		blank with tape seal											
		NTS no tape seal											
Packaging		blank tube											
		TR tape & reel											
Material		04 RoHS compliant											

GDS Series, Low Profile, THT & SMT (Continued)

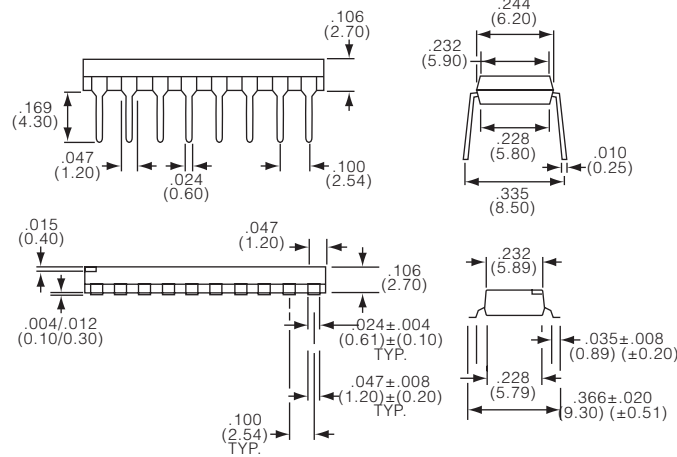
Positions



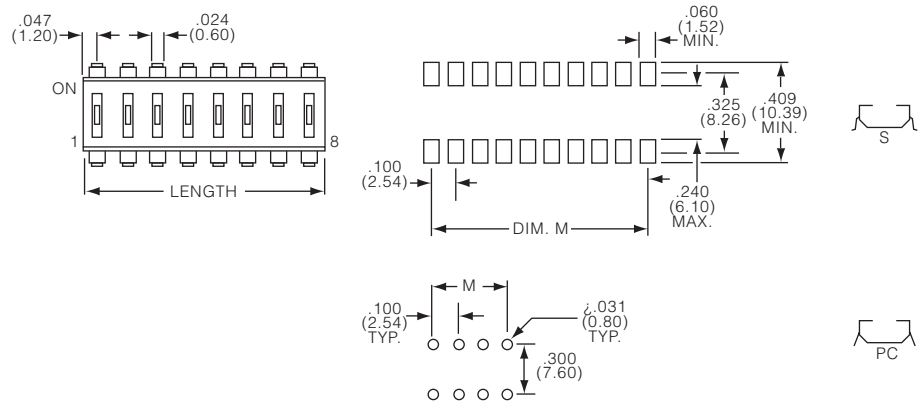
Codes 02, 04, 06, 08, 10 2, 4, 6, 8 and 10 positions



GDS0804



Code	Poles	Length	Dim M
02	2	4.94mm (.194)	2.54mm (.100)
04	4	10.02mm (.394)	7.62mm (.300)
06	6	15.10mm (.594)	12.7mm (.500)
08	8	20.18mm (.794)	17.78mm (.700)
10	10	25.26mm (.994)	22.86mm (.900)



Product key	Positions	Terminal	Sealing	Packaging	Material	Part Number
GDS0204	2 positions	THT	with t.seal	tube	RoHS compliant	1825006-1
GDS02NTS04			no t.seal			1825006-2
GDS02S04		SMT	with t.seal	1825006-3		
GDS02STR04	4 positions	THT	with t.seal	tape & reel		1825006-4
GDS04NTS04			no t.seal	tube		1825006-5
GDS04S04		SMT	with t.seal	1825006-7		
GDS04STR04	6 positions	THT	with t.seal	tape & reel		1825006-8
GDS06NTS04			no t.seal	tube		1-1825006-0
GDS06S04		SMT	with t.seal	1-1825006-1		
GDS06STR04	8 positions	THT	with t.seal	tape & reel		1-1825006-2
GDS08NTS04			no t.seal	tube		1-1825006-4
GDS08S04		SMT	with t.seal	1-1825006-5		
GDS08STR04	10 positions	THT	with t.seal	tape & reel		1-1825006-6
GDS10NTS04			no t.seal	tube		1-1825006-7
GDS10S04		SMT	with t.seal	1-1825006-9		
GDS10STR04				tape & reel		2-1825006-0

Preferred parts in bold print