


LC4001BM	c-mos IC	CIRCUIT DRAWING No.4006
QUAD 2-INPUT NOR GATE		 3034A

Use

- C MOS standard logic IC for logic circuit.


Functions and Features

- 2-input NOR logic gate IC (equivalent to B series, 4 2-input NOR gates contained in a single package) having wide operating voltage range, high noise margin, low power dissipation.
- Mini flat package enabling compactness of sets.

LC4011B	c-mos IC	CIRCUIT DRAWING No.4007
QUAD 2-INPUT NAND GATE		 3003A

Features

- Wide operating voltage range .
- High noise margin .
- Low power dissipation .
- Equivalent to 4000B series of other suppliers.


LC4011BM	c-mos IC	CIRCUIT DRAWING No.4007
QUAD 2-INPUT NAND GATE		 3034A

Use


- C MOS standard logic IC for logic circuit.

Features, functions

- 2-input NAND logic gate IC (equivalent to B series) having wide operating voltage range, high noise margin, low power dissipation.
- Mini flat package enabling compactness of sets.

LC4012B	c-mos IC	CIRCUIT DRAWING No.4008
DUAL 4-INPUT NAND GATE		 3003A

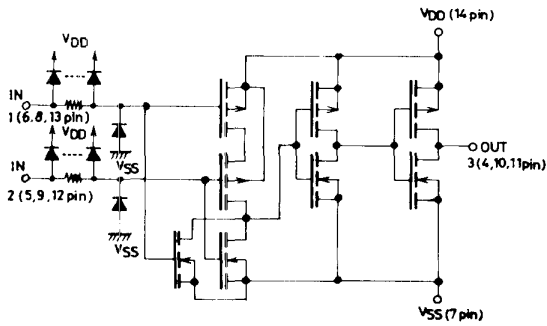
The LC4012B is a 4-input NAND logic IC ——— B series ——— having such features as wide operating voltage range, high noise margin, low power dissipation, etc.

LC4013B,4013BM	c-mos IC	CIRCUIT DRAWING No.4009
DUAL D-TYPE FLIP-FLOP		 3003A(LC4013B) 3034A(LC4013BM)

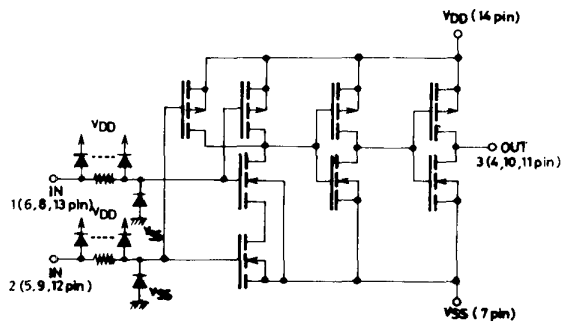
The LC4013B is an IC that consists of two independent D-type flip-flops (ETA/JEDEC standards-met IC product) having such features as wide operating voltage range, high noise margin, low power dissipation, etc. The LC4013BM is a miniflat package version of the LC4013B.

A

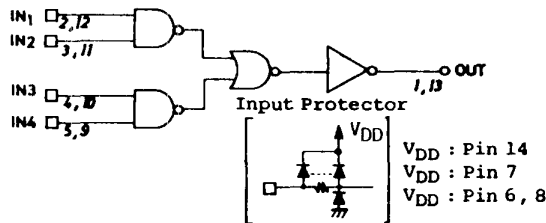
4006: LC4001B, 4001BM
EQUIVALENT CIRCUIT
(1/4 LC4001B, BM)



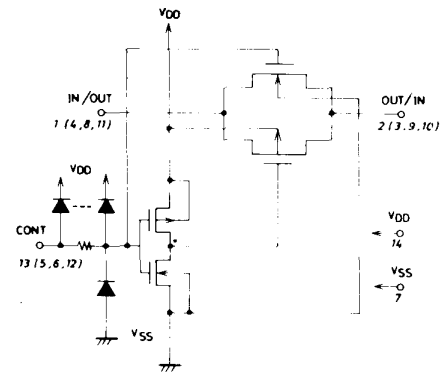
4007: LC4011B, 4011BM
EQUIVALENT CIRCUIT
(1/4 LC4011B, BM)



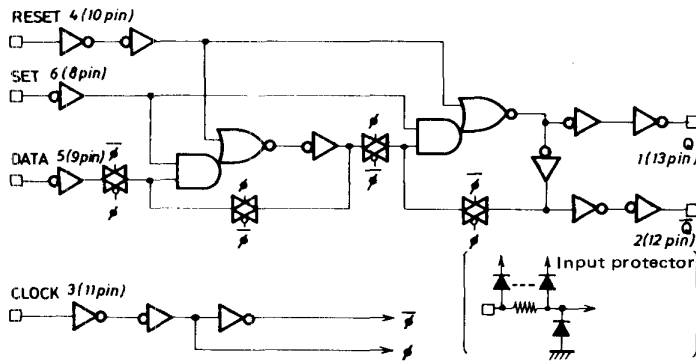
4008: LC4012B
EQUIVALENT CIRCUIT
(1/2 LC4012B)



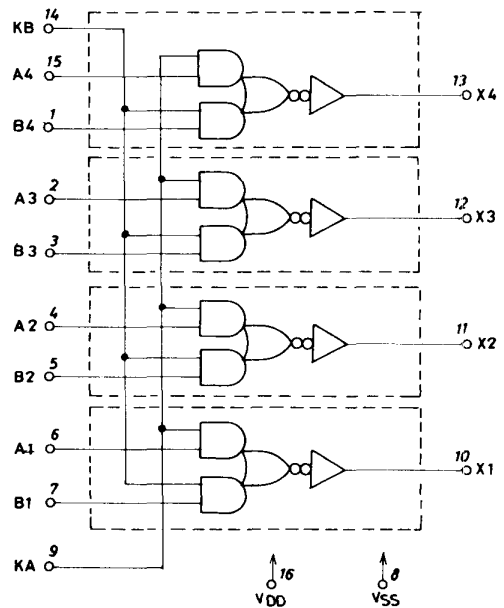
4011: LC4016B, 4016BM
EQUIVALENT CIRCUIT
(1/4 LC4016B, BM)



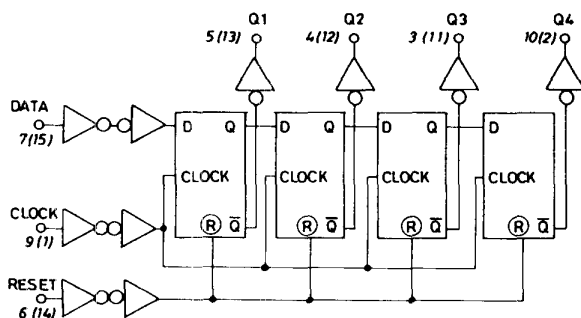
4009: LC4013B, 4013BM
EQUIVALENT CIRCUIT (1/2 LC4013B, 4013BM)



4012: LC4019B
EQUIVALENT CIRCUIT



4010: LC4015B
EQUIVALENT CIRCUIT (1/2 LC4015B)



TELEPHONE APPLICATIONS (monolithic integrated circuit)

Type Number	Page	Case			Circuit Drawing No.	Circuit Functions & Applications	Main Specifications
		Package	Pins	Package No.			
⊙ LC 7 1 5 0	221	DIP	18	3007A	4051	PLL Synthesizer for Cordless Telephone	PLL for transmission and PLL for reception (for new FCC 10ch), VDD=3.0 to 5.5V
⊙ LC 7 3 5 0	224	DIP	18	3007A	4058	Pulse Dialer	Low-voltage operation(VDD=1.5 to 3.5V), redial function, equivalent to S2560A (complementary output)
⊙ LC 7 3 5 1	224	DIP	20	3021B	4059	Pulse Dialer (With Beep Tone)	Low-voltage operation(VDD=1.5 to 3.5V), redial function, equivalent to S2560A, beep tone (complementary output)
⊙ LC 7 3 5 2	225	DIP	18	3007A	4060	Pulse Dialer	Low-voltage operation(VDD=1.5 to 3.5V), redial function, equivalent to S2560A (key entry, L)
⊙ LC 7 3 5 3	225	DIP	18	3007A	4061	Pulse Dialer	Low-voltage operation(VDD=1.5 to 3.5V), redial function, equivalent to S2560A (open drain)
⊙ LC 7 3 5 4	225	DIP	20	3021B	4061	Pulse Dialer (With Beep Tone)	Low-voltage operation(VDD=1.5 to 3.5V), redial function, equivalent to S2560A (open drain)
⊙ LC 7 3 5 5	226	DIP	18	3007A	4062	Pulse Dialer	Low-voltage operation(VDD=1.5 to 3.5V), redial function, equivalent to S2560A (IDP available)
⊙ LC 7 3 5 6	226	DIP	20	3008A	4062	Pulse Dialer (With Beep Tone)	Low-voltage operation(VDD=1.5 to 3.5V), redial function, equivalent to S2560A (IDP available)
⊙ LC 7 3 6 5	226	DIP	16	3006A	4063	Tone Dialer	Low-voltage operation(VDD=1.5 to 3.5V), redial function, equivalent to S2559
⊙ LC 7 3 6 6	226	DIP	16	3006A	4064	Tone Dialer	Microcomputer-controlled version of LC7365 (improvement in interface)
⊙ LC 7 3 7 0	226	DIP	42	3014A	4065	Repertory Dialer	5 telephone number (16 digits) memory, redial function, 1-digit LED display, LC3514 connectable externally

CMOS STANDARD LOGICS (B SERIES) (monolithic integrated circuit)

Type Number	Page	Case			Circuit Drawing No.	Circuit Functions & Applications	Main Specifications
		Package	Pins	Package No.			
LC 4 0 0 1 B	206	DIP	14	3003A	4006	Quad 2 input NOR Gate	Standard logic SSI (4000B series), directly interchangeable with 4000B series of other suppliers
LC 4 0 0 1 B M	207	MFP	14	3034A	4006	Quad 2 input NOR Gate	Standard logic SSI (4000B series), miniflat package version of LC4001B
LC 4 0 1 1 B	207	DIP	14	3003A	4007	Quad 2 input NAND Gate	Standard logic SSI (4000B series), directly interchangeable with 4000B series of other suppliers
LC 4 0 1 1 B M	207	MFP	14	3034A	4007	Quad 2 input NAND Gate	Standard logic SSI (4000B series), miniflat package version of LC4011B
LC 4 0 1 2 B	207	DIP	14	3003A	4008	Dual 4 input NAND Gate	Standard logic SSI (4000B series), directly interchangeable with 4000B series of other suppliers