

LCD Keypad shield

- 1602 LCD and 6 AD buttons for Arduino

Overview



This Arduino 1602 LCD Keypad shield is developed for Arduino compatible boards, to provide a user-friendly interface that allows users to go through the menu, make selections etc. It consists of a LCD1602 white character blue backlight LCD. The keypad consists of 5 keys — select, up, right, down and left. To save the digital IO pins, the keypad interface uses only one ADC channel. The key value is read through a 5 stage voltage divider.

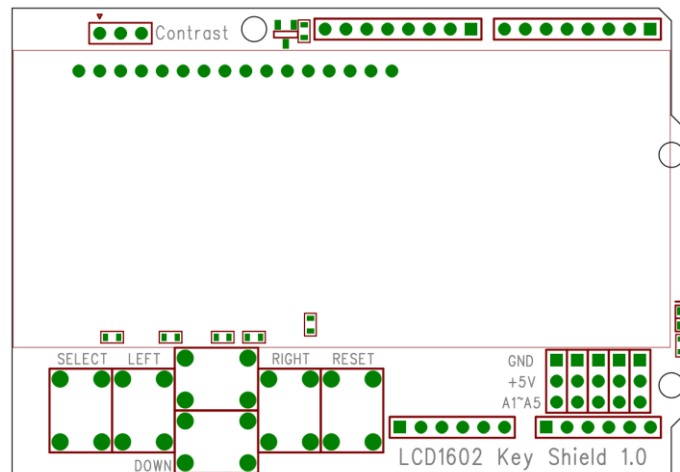
Specifications

PCB size	82.8mm X 56.6mm X 1.6mm
Power supply	5V DC
RoSH	Yes

Electrical Characteristics

Specification	Min	Type	Max	Unit
Power Voltage	4.5	5	5.5	VDC
Input Voltage	Target Voltage = 3.3V			
VH	Target Voltage = 5V			
Input Voltage VL:	-0.3	0	0.5	V
Current Consumption	-	20	40	mA

Pins description



Pin	Function
A0	Button(select, up, right, down and left)
D4	DB4
D5	DB5
D6	DB6
D7	DB7
D8	RS(Data or signal display selection)
D9	LCD1602 Enable
D10	Backlight control

Revision History

Rev.	Description	Release date
v1.0	Initial version	6/23/2010

1

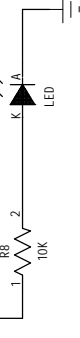
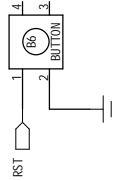
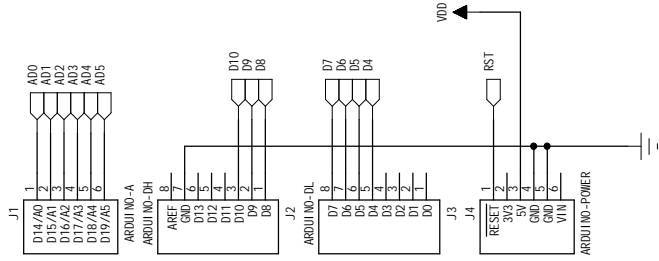
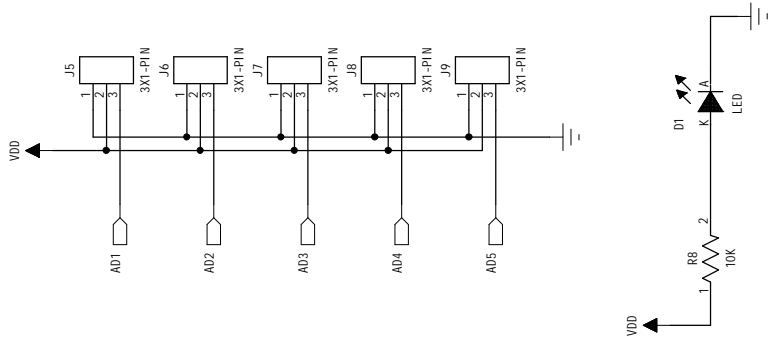
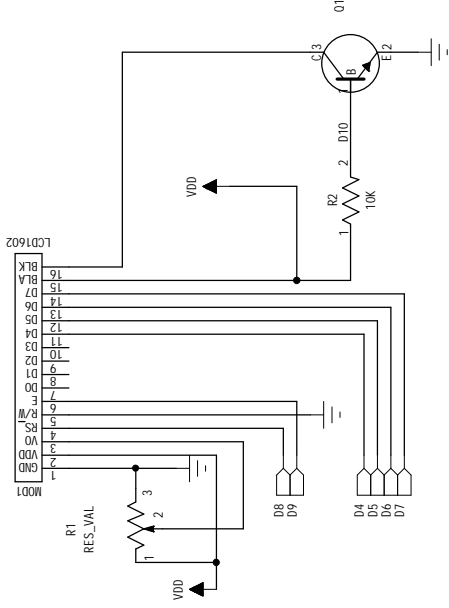
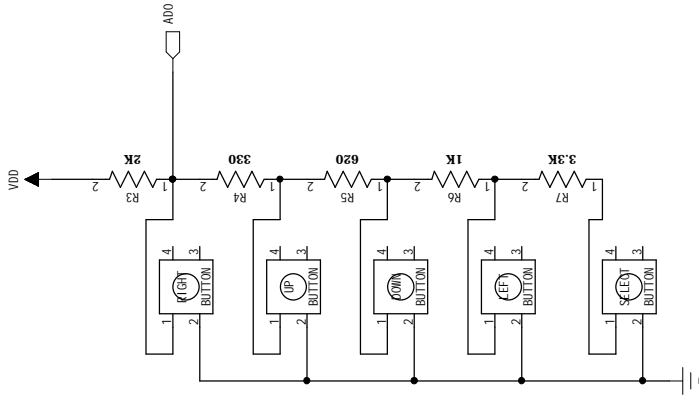
2

3

4

5

6



D

C

B

D

C

B

Company:

Project Name:

Rev:

Sheet Name: <undefined>

Designed by

File Name: Icd1602_shield_schize:B

Date :

Page Num: 1 of 1

A

A