

SMD type
3.2 x 1.5 x 0.6 mm CL = 12.5 pF



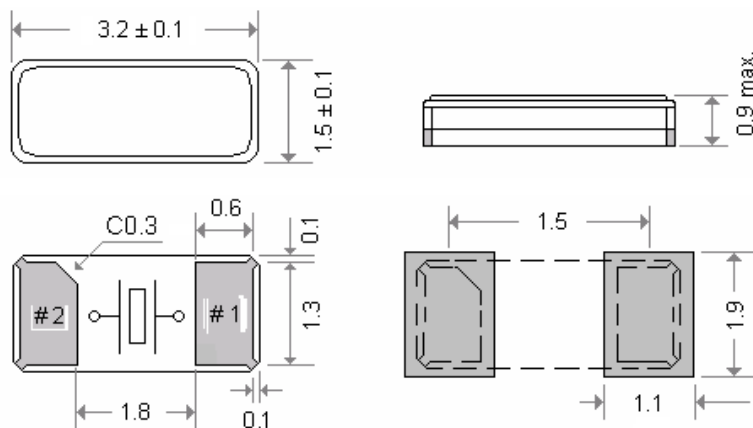
Applications

- The entire package can be grounded via the top metal lid and the two bottom pads .
- Frequency tolerance as tight as +/-5ppm , +/-10ppm is available.

General Specifications

	Parameters	SYM.	Electrical Spec.				Notes
			Min.	Typical	Max.	Unit	
1	Mercury Part No.		-				X3215 - 32.768K - 12.5
2	Nominal Frequency	FL	32.768000				kHz
3	Holder Type		-				2.0 * 1.2 * 0.9 mm , 2pads
4	Crystal Cut		-				AT-Cut
5	Mode of Oscillation		-				Fundamental Mode
6	Frequency Tolerance	$\Delta f / f$	-20	~	20	ppm	at 25°C ± 3°C
7	Spurious Attenuation	SpdB			-3	dB	
8	Equivalent Series Resistance	Rr			80	KΩ	
9	Shunt Capacitance	Co		1.0		pF	
10	Motional Capacitance	C1		3.4		fF	
11	Load Capacitance	CL		12.5		pF	
12	Recommended Drive Level	DL			0.5	uW	
13	Temperature Coefficient	a			-0.04x10 ⁻⁶	°C ²	
14	Insulation Resistance	IR		500		MΩ	DC 100V ± 15V
15	Capacitance Ratio	γ			10	ppm	
16	Operating Temperature	TSTG	-40	~	125	°C	
17	Storage Temperature	TOPR	-45	~	125	°C	
18	Aging	fa	-3		3	ppm	First year
19	Shock Resistance	S.R.	-8		8	ppm	100g dummy dropfrom 1500mm

General Specifications (Unit : mm)



Mercury www.mercury-crystal.com