



# FSP-HPA-024-025 100W

High Power Solid State Amplifier 2.4  
to 2.5 GHz

## Typical Applications

The FSP-HPA-024-025 100W is ideal for:

- Commercial Radar
- Military Radar
- Electronic Warfare
- Test equipment



**Table 1. Specifications**

Input Power	
DC Power	+27V/12A
Output Specifications [ @ 25° C ]	
Frequency Range	2400-2500 MHz
Saturated Power Output	≥100W TYP
Gain	≥35dB
Min Noise Figure	5 dB TYP
In/Out VSWR	<1.5:1 TYP
In/Out Impedance	50 Ω
In-band flatness	≤3dB
Third-order inter-modulation	≤-25dBc
Gain stability	±0.5dB/24h(Normal temperature)
Input /output	with 20dB Isolator
Efficiency	≥34%
Noise Wave	≤-60dBc
RF In / Out	SMA-Female
Local/ Remote	TTL
Mechanical	
Aluminum Chassis - Grounded	
190x120x26 [mm]	
Environmental	
Operating Temperature	-20° to 50° C Storage
Temperature	-40° to 50° C
Relative Humidity	5 to 95% non-condensing
MTBF	
200,000 hours	

## Features

Lightest weight

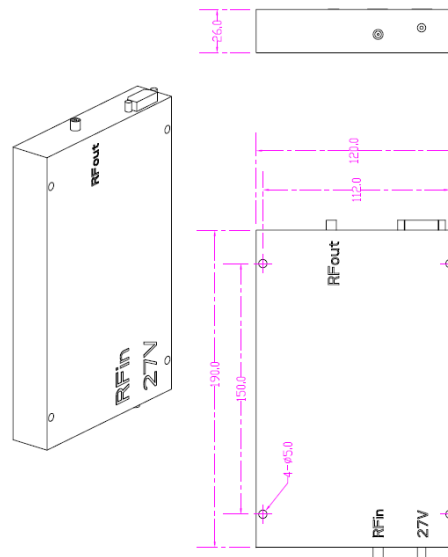
Highest Power

Smallest footprint

## General Description

The FSP-HPA-024-025 100W is a high power rack mounted microwave amplifier that covers a 0.1 GHz range in the 2.4-2.5 GHz band. The FSP-HPA-024-025 provides an output of 100 watts. A number of options are available depending on customer requirements. TTL Local/Remote switching is provided as an option.

Small and rugged, the FSP-HPA-024-025 100W is ideal for replacement of TWT amplifiers – offering up to 30 dB improvement in noise and very short group delay characteristics. A small footprint and low power consumption make it excellent for mounting at the antenna or load, and no warm-up time is required, providing instant power-up.



Selling this equipment only to state enterprises or companies that have regulatory authority is possible.

For price, delivery, and to place orders, please contact **Fidar System Pooyan** Corporation:

[www.cintix.ir](http://www.cintix.ir) Phone: +98-21-88516856 Fax: +98-21-88735031