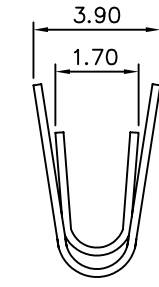
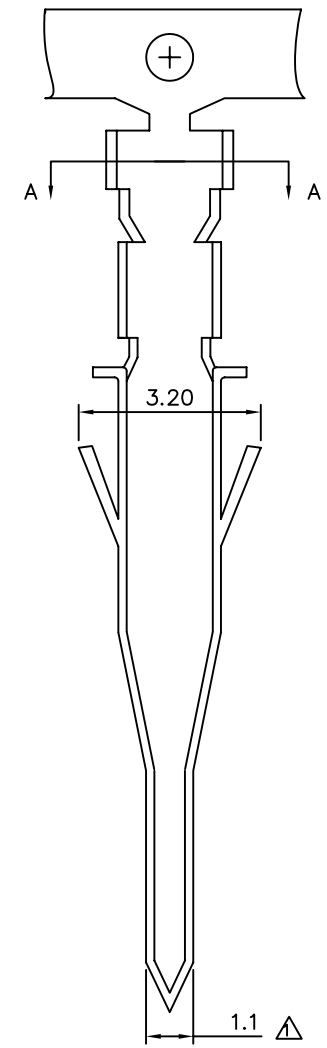
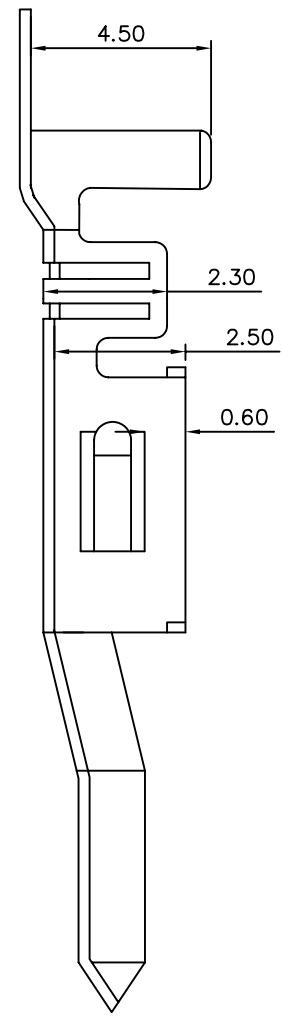


**△ SPECIFICATIONS**

Material: Brass  
 Finish: Tin Plated  
 Hardness: H/SH  
 Thickness: 0.20mm  
 Q'ty: 5000 Pcs/Roll  
 Wire Range: AWG#16~#22



Section A-A



DRAWING No.		APPROVED BY		UNLESS OTHERWISE SPECIFIED TOLERANCES ARE .X ±0.38 .XX ±0.25 ANG.					
02284		MEI			△ A2	Modify Spec.	BECKY	03/17/2006	
		RAN			△ A1	1.25 → 1.1	MEI	06/06/2003	
		DRAWING BY		△ A	NEW RELEASE	MEI			
SCALE	NONE	REV.	A2	UNIT	mm	NO. REV.	REVISIONS	CHK	DATE