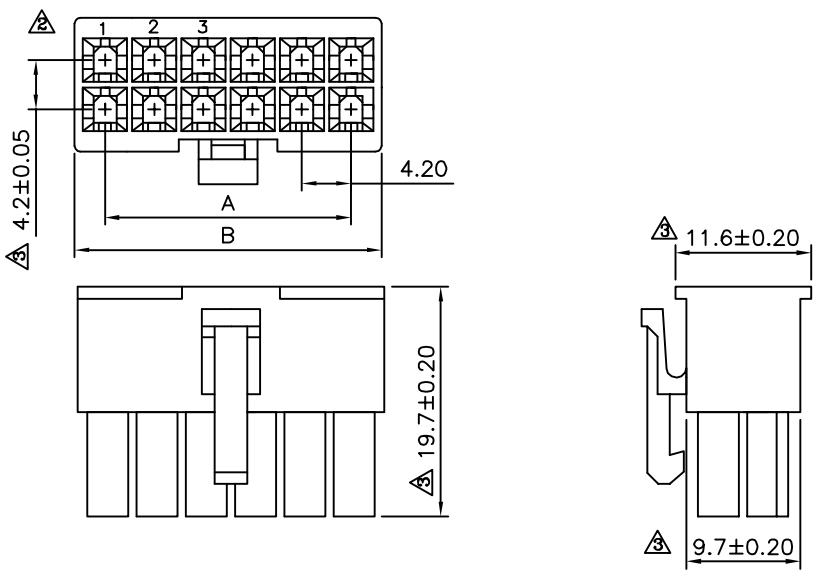
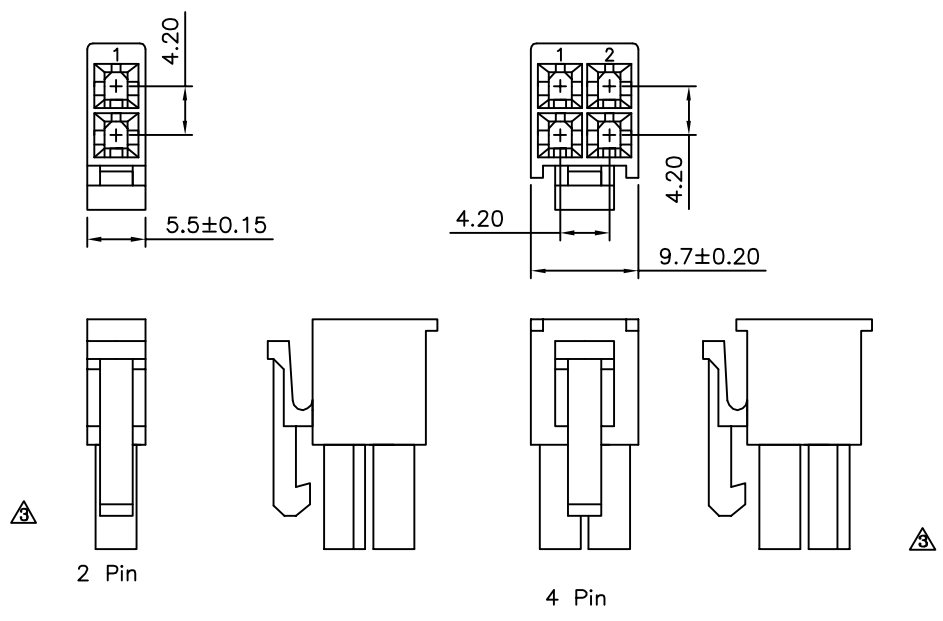


**SPECIFICATION**  
 ⚠ Current Rating:7A AC/DC  
 Voltage Rating:250V AC/DC  
 Insulation Resistance:1000 Megaohms Min.  
 Withstand Voltage:1500V AC/Minute  
 Temperature Range:-25°C~+120°C  
 Insulator:PA66(UL94V-2),Nature  
 RoHS Compliant



| Circuits | A     | B    | Tolerance |
|----------|-------|------|-----------|
| 2        |       | 5.5  | A±0.20    |
| 4        | 4.20  | 9.7  |           |
| 6        | 8.40  | 13.9 |           |
| 8        | 12.60 | 18.1 | B±0.30    |
| 10       | 16.80 | 22.3 |           |
| 12       | 21.00 | 26.5 |           |
| 14       | 25.20 | 30.7 | A±0.30    |
| 16       | 29.40 | 34.9 |           |
| 18       | 33.60 | 39.1 |           |
| 20       | 37.80 | 43.3 | B±0.40    |
| 22       | 42.00 | 47.5 |           |
| 24       | 46.20 | 51.7 |           |



|             |      |             |    |  |             |             |            |            |
|-------------|------|-------------|----|--|-------------|-------------|------------|------------|
| DRAWING No. |      | APPROVED BY |    | UNLESS OTHERWISE SPECIFIED TOLERANCES ARE<br>X. ±0.5<br>.X ±0.25<br>.XX ±0.2<br>.XXX ±0.08 | ⚠ A4        | Modify Data | HZF        | 01/12/2010 |
| 02225       |      | MEI         |    |  | ⚠ A3        | Modify Data | HZF        | 11/14/2009 |
|             |      | CHECKED BY  |    |  | ⚠ A2        | Modify Data | HZF        | 10/20/2009 |
|             |      | DRAWING BY  |    | ⚠ A1   | Add Spec.   | BECKY       | 2004/11/18 |            |
|             |      | QQJ         |    | ⚠ A0   | NEW RELEASE |             |            |            |
| SCALE       | NONE | REV.        | A4 | UNIT   | NO. REV.    |             | REVISIONS  | CHK        |
|             |      |             |    | mm   |             |             |            | DATE       |