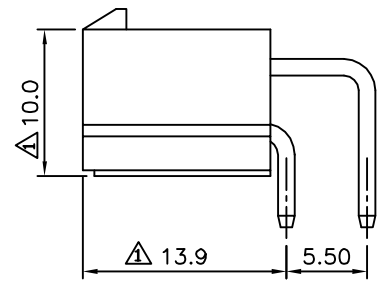
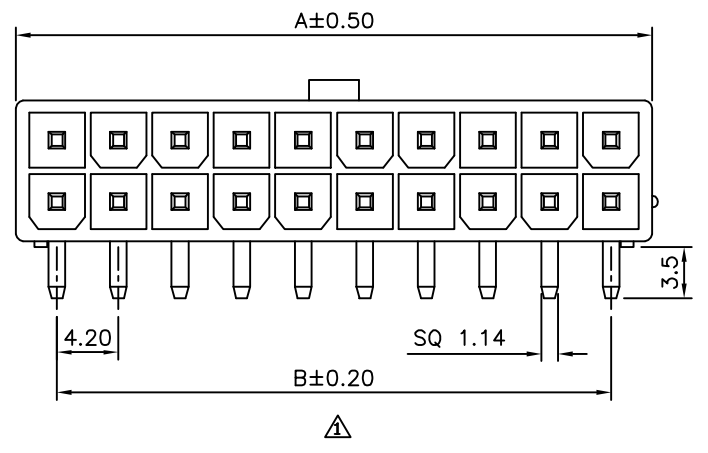
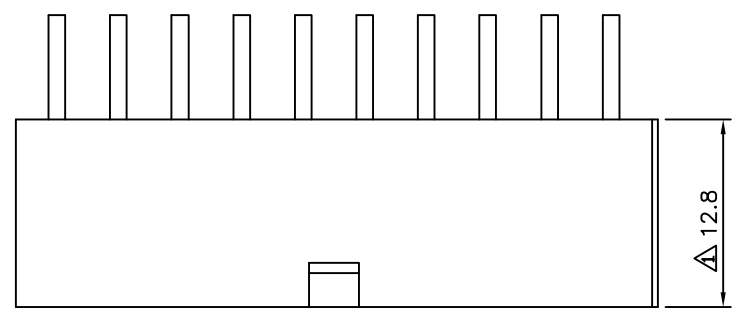


Recommended P.C.B. Layout (Top View)

△ SPECIFICATION
 Current Rating: 7.0 Amp Max.
 Dielectric Withstand Voltage:
 1000V AC RMS For 60 Seconds
 Insulation Resistance: 1000 Megaohms Min.
 At 1000V DC
 Operation Temperature: -25°C ~ +85°C
 Housing: PA66 (UL94V-2)
 Terminal: Brass, Tin Plated Over Nickel
 RoHS Compliant



Pin	A	B
02	5.60	—
04	9.80	4.20
06	14.00	8.40
08	18.20	12.60
10	22.40	16.80
12	26.60	21.00
14	30.80	25.20
16	35.00	29.40
18	39.20	33.60
20	43.40	37.80
22	47.60	42.00
24	51.80	46.20



DRAWING No.		APPROVED BY		UNLESS OTHERWISE SPECIFIED TOLERANCES ARE △ .X ±0.30 .XX ±0.20 .XXX ±0.10
02283		MEI		
		CHECKED BY		
		HZF		
		DRAWING BY		
		SONG		
SCALE	NONE	REV.	A2	UNIT
				mm

NO.	REV.	REVISIONS	CHK	DATE
△ A2		Modify Data	HZF	07/10/2012
△ A1		Modify Data	HZF	02/22/2010
△ A0		NEW RELEASE	HZF	