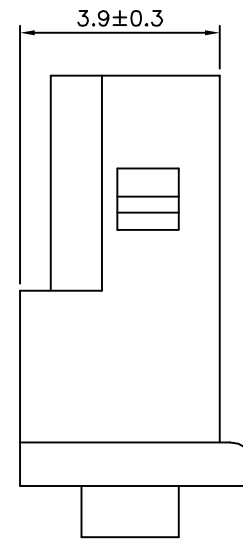
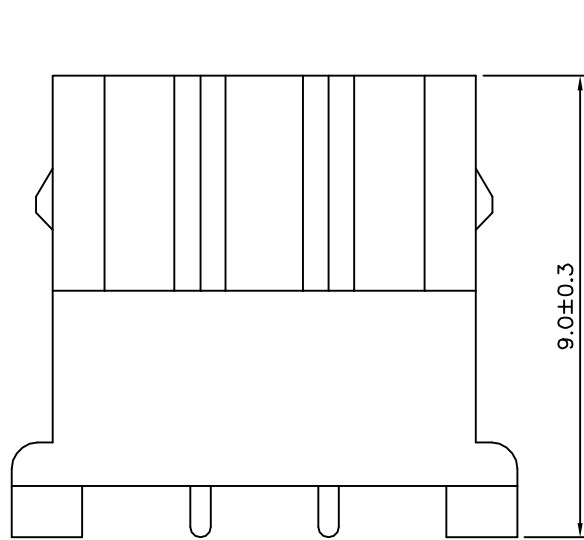
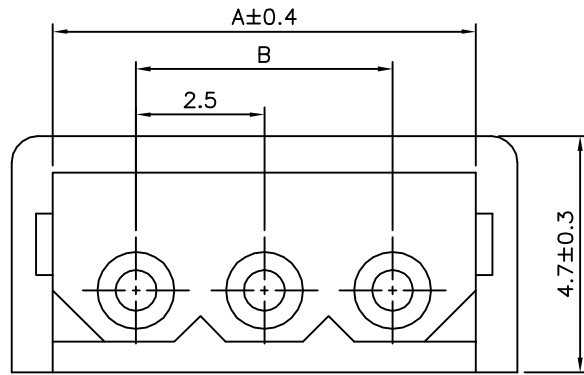


SPECIFICATION

Current Rating:3A AC/DC
 Voltage Rating:250V AC/DC
 Material:PA66(UL94V-0)
 RoHS Compliant



Pin	A	B
02	5.80	2.5
03	8.30	5.0
04	10.80	7.5
05	13.30	10.0
06	15.80	12.5
07	18.30	15.0
08	20.80	17.5
09	23.30	20.0
10	25.80	22.5
11	28.30	25.0
12	30.80	27.5
13	33.30	30.0
14	35.80	32.5
15	38.30	35.0



DRAWING No.

01672

APPROVED BY

MEI

CHECKED BY

HZF

DRAWING BY

SONG

UNLESS OTHERWISE SPECIFIED

TOLERANCES ARE
 40~ ±0.5
 20~40 ±0.4
 10~20 ±0.3
 1~10 ±0.2

SCALE NONE

REV. A0

UNIT mm



NO. REV.

A0 NEW RELEASE REVISIONS

CHK HZF DATE 05/06/2012