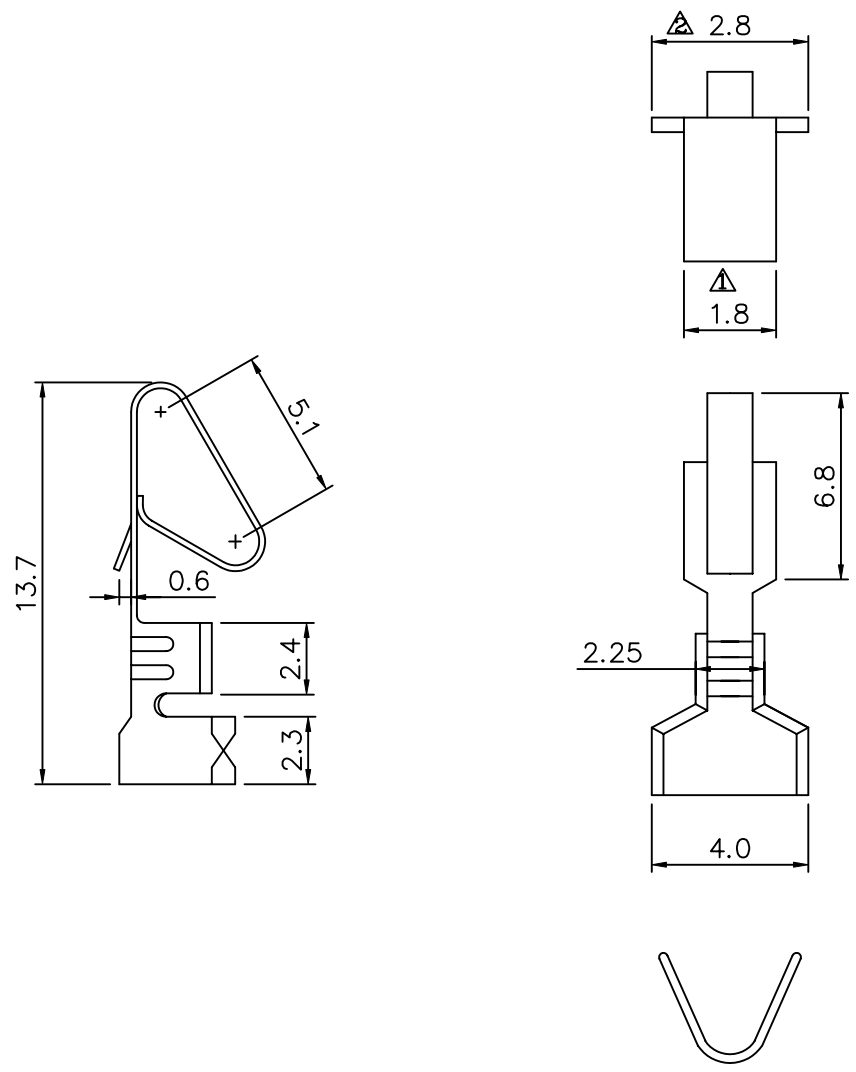


SPECIFICATION
 Applicable Wire:AWG#18-24
 Material:Brass,Tin Plated
 Hardness:SH
 Thickness:0.25mm&0.3mm
 Q'ty:6000 Pcs/Roll
 RoHS Compliant



DRAWING No.		APPROVED BY		UNLESS OTHERWISE SPECIFIED					
02185		MEI		TOLERANCES ARE					
		CHECKED BY		.X ±0.38		△ A2	Add Dim. 2.8	MEI	04/11/2003
		RAN		.XX ±0.25		△ A1	2.8 → 1.8	MEI	04/11/2003
		DRAWING BY		ANG.		△ A0	NEW RELEASE		
SCALE	NONE	REV.	A2	UNIT	mm			CHK	DATE
						NO.	REV.	REVISIONS	