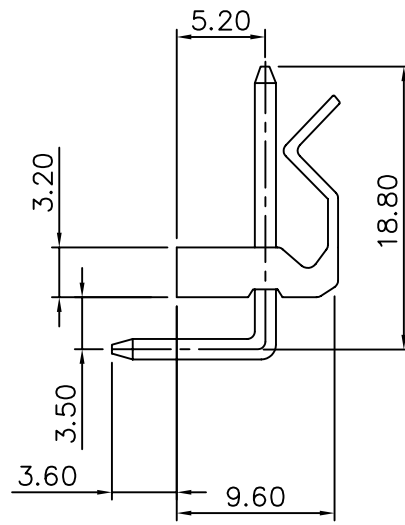
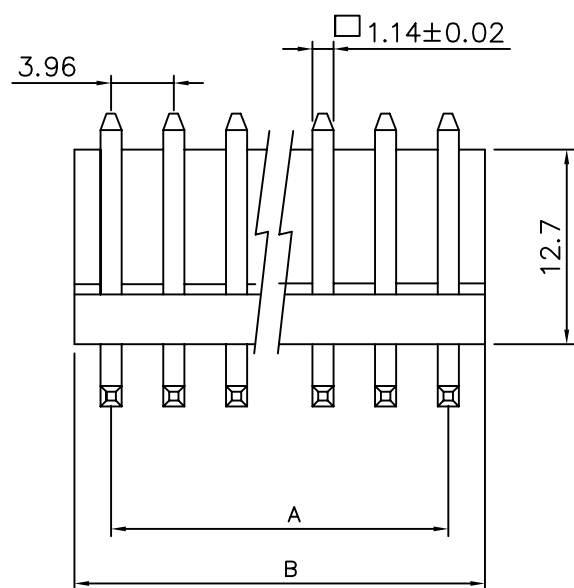


**△ SPECIFICATIONS**  
 Current Rating: 7A AC,DC  
 Voltage Rating: 250V AC,DC  
 Withstanding Voltage: 1500V AC/Minute  
**△** Contact Resistance: 10 Milliohms Max.  
 Insulation Resistance: 1000 Megohms Min.  
 Temperature Range: -25°C To +85°C  
 Applicable PC Board Thickness: 1.6mm  
 Post: Brass, Tin Plated  
 Base: Nylon 66, UL94V-2  
 Q'ty: 500,1000 Pcs/Bag



Poles	Dim A	Dim B
2	3.96	8.0
3	7.92	12.0
4	11.88	15.9
5	15.84	20.0
6	19.80	24.0
7	23.76	27.9
8	27.72	31.9
9	31.68	35.8
<b>△</b> 10	35.64	39.7
11	39.60	43.9
12	43.56	47.8
13	47.52	51.8
14	51.48	55.7
15	55.44	59.8
16	59.40	63.8
17	63.36	67.7
18	67.32	71.7
19	71.28	75.6
20	75.24	79.8

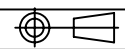


DRAWING No.  
02166

APPROVED BY MEI  
 CHECKED BY BECKY  
 DRAWING BY HZF

UNLESS OTHERWISE SPECIFIED TOLERANCES ARE  
 .X ±0.35  
 .XX  
 .XXX

SCALE NONE REV. A2



NO.	REV.	REVISIONS	CHK	DATE
<b>△</b> A2		Modfy:20 Milliohms→10 Milliohms	BECKY	06/02/2005
<b>△</b> A1		Dim.B:39.9→39.7&Add Spec.	BECKY	01/05/2005
<b>△</b> A		NEW RELEASE	RAN	04/11/2001