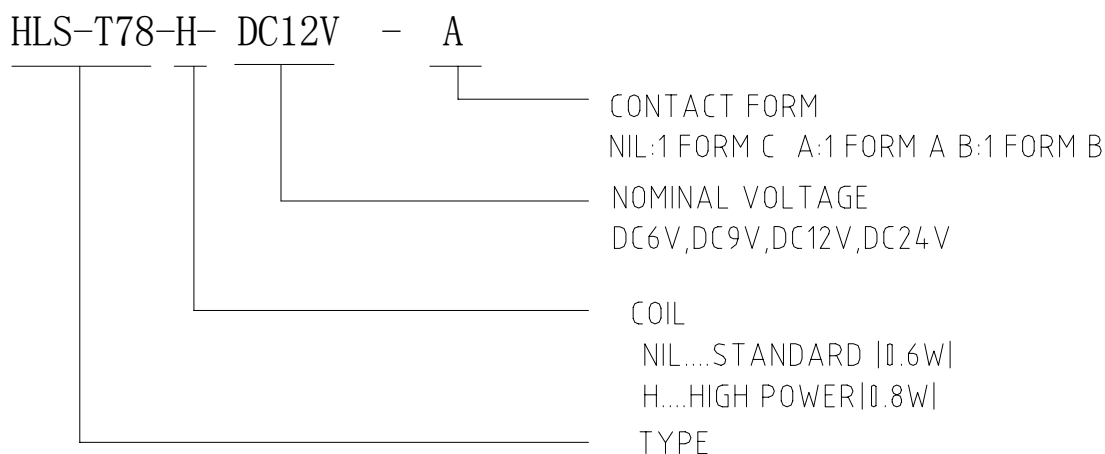


ORDERING CODE



CONTACT DATA

Contact Form	1A/1B/1C	
Contact Material	Ag Alloy	
Contact Ratings	NO:20A 14VDC/10A120VAC	1C:7A 120VAC
	NC:12A 14VDC/10A120VAC	
Max Switching Voltage	16VDC/120VAC	
Max Switching Current	25A	
Max Switching Power	840VA/400W	
Initial Contact Resistance	100mΩ Max	at6VDC 1A
Life Expectancy Electrical	100,000	Operations (rated load)
Life Expectancy Mechanical	10,000,000	Operations (no load)

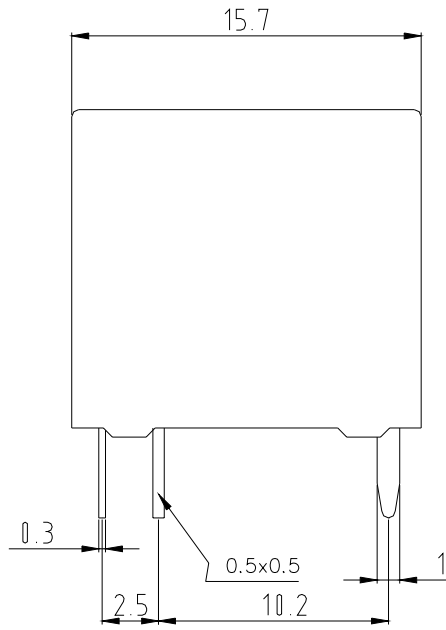
GENERAL DATA

Insulation Resistance	100MΩ min at500VDC	
Dielectric Strength Between Open Contacts	500VAC 50-60HZ (1minute)	
Dielectric Strength Between Contacts And Coil	500VAC 50-60HZ (1 minute)	
Operate Time	10ms max	
Release Time	5ms max	
Ambient Temperature	-40°C to+85°C	
Shock Resistance	Malfunction	10G
	Destruction	100G
Vibration Resistance	10-55Hz,1.5mm double amplitude	
Ambient humidity	40-85% RH	
Weight	Approx 6g	
Safety Standard	UL	

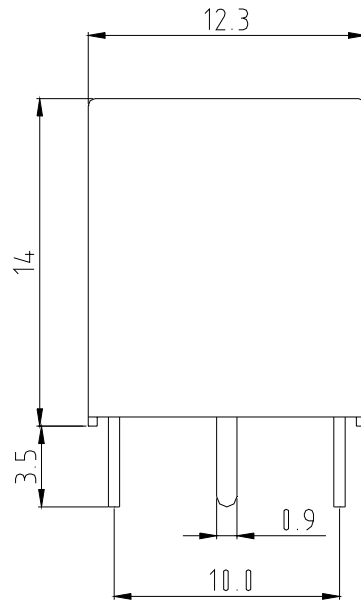
COIL DATA

Rated Voltage (VDC)	Coil Resistance Ω (±10%)		Max Operate Voltage (VDC)	Min Release Voltage (VDC)	Max Applied Voltage (VDC)
	0.6W	0.8W			
6	60	45	3.9	0.6	7.8
9	135	101	5.85	0.9	11.7
12	240	180	7.8	1.2	15.6
24	960	720	15.6	2.4	31.2

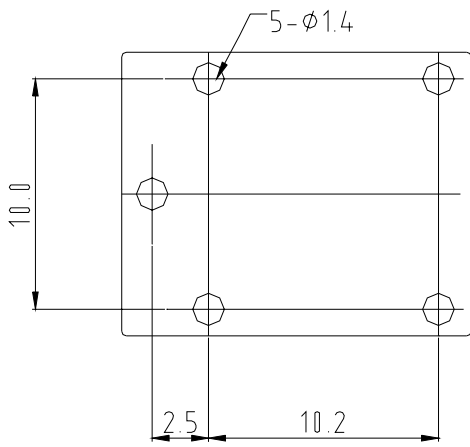
Outline Dimension (mm)



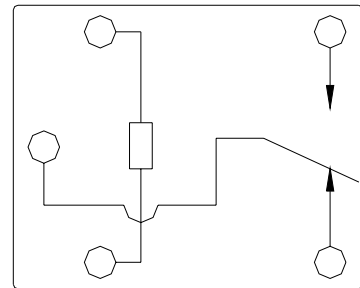
PC Board layout



Wiring Diagram



(Bottom View)



(Bottom View)