



FEATURES

- 15A switching capability
- 1 form A and 1 form C configurations
- Subminiature, standard PCB layout
- Sealed IP67 and flux proof types available
- Environmental friendly product available (RoHS compliant)
- Outline Dimensions: (18.7 x 15 x 15.2)mm

CONTACT DATA

Concat arrangement		1A	1C
Contact resistance		100mΩ (1A 6VDC)	
Contact material		AgSnO ₂ , AgCdO	
Contact rating	0.36W/0.45W	10A 250VAC/7A 28VDC/15A 125VAC	
	0.6W/0.8W/0.92W/1W	15A 14VDC	
Max. switching voltage		250VAC/28VDC	
Max. switching current		15A	
Max. switching power		2500VA/210W	
Mechanical endurance		1 x 10 ⁷	
Electrical endurance		1 x 10 ⁵	

CHARACTERISTICS

Insulation resistance		100MΩ (500VDC)
Dielectric strength	Between coil&contacts	1500VAC 1min
	Between open contacts	750VAC 1min
Operate time (at normal.volt.)		≤10ms
Release time(at normal.volt.)		≤10ms
Shock resistance	Functional	100m/s ² (10g)
	Destructive	1000m/s ² (100g)
Vibration resistance		10Hz ~ 55Hz 1.5mm
Humidity		5% ~ 85% RH
Ambient temperature		-40℃~105℃
Termination		(PCB)
Unit weight		10g
Construction		Sealed

1) The dielectric strength requirements of 0.6W and above are 500VAC 1min

MPA COIL DATA

at 23℃

Coil Voltage VDC	Pick-up Voltage VDC	Drop-out Voltage VDC	Max. Allowable Voltage VDC	Coil Resistance 10% Ω	Coil Power mW
3	2.25	0.3	3.90	25	360
6	4.05	0.6	7.80	100	
9	6.80	0.9	11.7	225	
12	9.00	1.2	15.6	400	
24	18.00	2.4	31.2	1600	
48	36.0	4.8	62.4	6400	

MPA COIL DATA

at 23°C

Coil Voltage VDC	Pick-up Voltage VDC	Drop-out Voltage VDC	Max. Allowable Voltage VDC	Coil Resistance 10% Ω	Coil Power mW
3	2.25	0.3	3.90	20	450
6	4.05	0.6	7.80	80	
9	6.80	0.9	11.7	180	
12	9.00	1.2	15.6	320	
24	18.00	2.4	31.2	1280	
48	36.0	4.8	62.4	5120	
12	8.40	1.2	15.6	240	600
24	16.8	2.4	31.2	960	
48	33.2	4.8	62.4	3840	
12	8.40	1.2	15.6	180	800
24	16.8	2.4	31.2	720	
48	33.2	4.8	62.4	2880	
60	42.0	6.0	78.0	3910	920
72	50.4	7.2	93.6	5630	
60	42.0	6.0	78.0	3600	1000
72	50.4	7.2	93.6	5180	

ORDERING INFORMATION

	MPA	-S-	1	12	-C
Type					
Construction	S:sealed				
Contact group	1:1 group				
Coil voltage	3、5、6、9、12、24、48VDC				
Contact arrangement	A:NO		C:NO/NC		

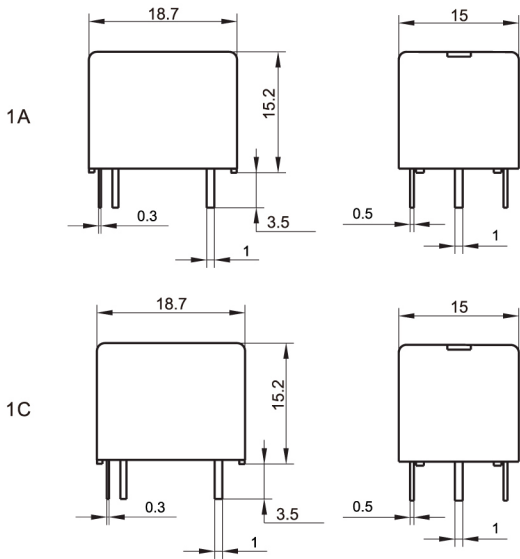
APPROVALS

Approvals	UL	TÜ V	CQC
rating	10A 250VAC/7A 28VDC 15A 125VAC 15A 250VAC TV-5	10A 250VAC/30VDC	10A 250VAC/30VDC

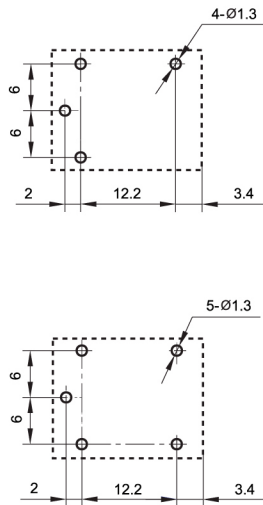
Note: The approvals above only for 0.36W products.

OUTLINE DIMENSIONS, WIRING DIAGRAM AND PC BOARD LAYOUT

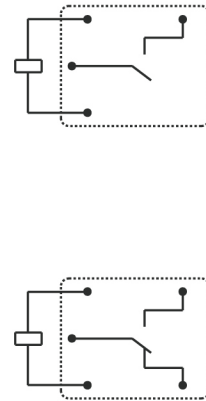
Outline Dimensions



PCB Layout
(Bottom view)



Wiring Diagram
(Bottom view)



Remark: 1) In case of no tolerance shown in outline dimension: outline dimension $\leq 1\text{mm}$, tolerance should be $\pm 0.2\text{mm}$; outline dimension $> 1\text{mm}$ and $\leq 5\text{mm}$, tolerance should be $\pm 0.3\text{mm}$; outline dimension $> 5\text{mm}$, tolerance should be $\pm 0.4\text{mm}$.
2) The tolerance without indicating for PCB layout is always $\pm 0.1\text{mm}$.